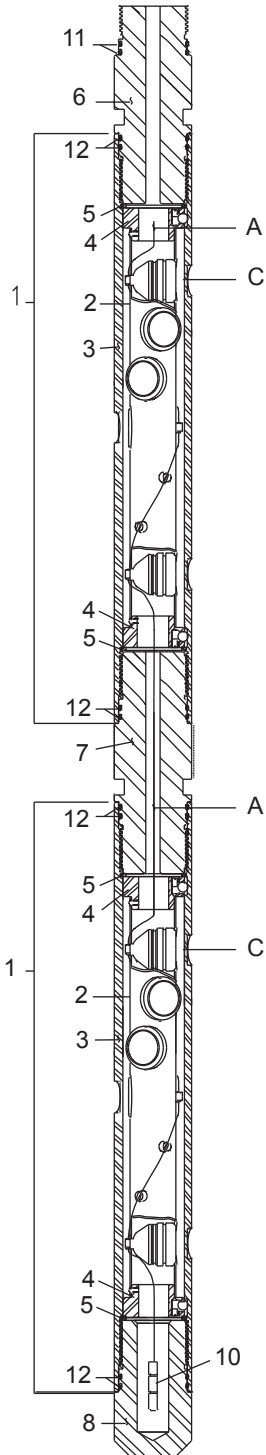




BILL OF MATERIALS:



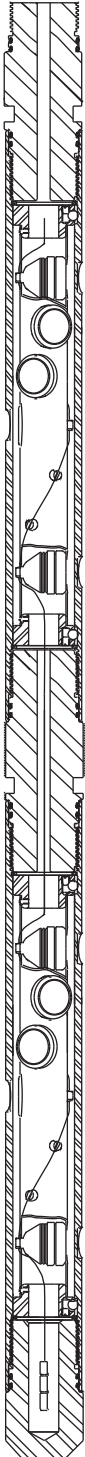
ITEM	PART NO.	DESCRIPTION
1	S31-0614-A21F	Shipping Assembly, 3-1/8" x 21', 6 spf, 60° Spiral
	S31-0614-A15F	Shipping Assembly, 3-1/8" x 15', 6 spf, 60° Spiral
	S31-0614-A11F	Shipping Assembly, 3-1/8" x 11', 6 spf, 60° Spiral
	S31-0614-A07F	Shipping Assembly, 3-1/8" x 7', 6 spf, 60° Spiral
	S31-0614-A04F	Shipping Assembly, 3-1/8" x 4', 6 spf, 60° Spiral
2	T20-0614-A21F	Tube Strip, 21', 6 spf, 60° Spiral
	T20-0614-A15F	Tube Strip, 15', 6 spf, 60° Spiral
	T20-0614-A11F	Tube Strip, 11', 6 spf, 60° Spiral
	T20-0614-A07F	Tube Strip, 7', 6 spf, 60° Spiral
	T20-0614-A04F	Tube Strip, 4', 6 spf, 60° Spiral
3	TAG-3125-101	Carrier 3-1/8" x 21', 6 spf, 60° Spiral
	TAG-3125-099	Carrier 3-1/8" x 15', 6 spf, 60° Spiral
	TAG-3125-098	Carrier 3-1/8" x 11', 6 spf, 60° Spiral
	TAG-3125-097	Carrier 3-1/8" x 7', 6 spf, 60° Spiral
	TAG-3125-096	Carrier 3-1/8" x 4', 6 spf, 60° Spiral
4	TAG-3125-274U	End Plate Universal (1)
	TAG-3125-274UP	End Plate Universal w/pin (1)
5	TAG-3125-076	Carrier Snap Ring (N-5000-250) (2)
6	TAG-3125-280	Top Sub 3-1/8" Adapts to TCP or Wireline Systems
7	TAG-3125-281	Tandem Sub 3-1/8"
8	TAG-3125-162	Bull Plug 3-1/8"
	TAG-3125-162S	Bull Plug 3-1/8" w/2-3/8" EUE pin on bottom
--	TCP-0100-275	Booster Transfer Kit, Universal - 3-1/3, 3-3/8 & 4" TAG
	TAG-0100-040	Insert (Included w/Transfer Kit) see page con-1.0
10	DET-0010-001	Detonating Cord End Cover
11	OOO-N569-230	O-Ring, #230, 90 Duro Nitrile - see ref. section
	OOO-V569-230	O-Ring, #230, 90 Duro Viton - see ref. section
12	OOO-N569-230	O-Ring, #230, 90 Duro Nitrile - see ref. section
	OOO-V569-230	O-Ring, #230, 90 Duro Viton - see ref. section
12A	OB-230-2817-4PE	O-Ring Backup, PEEK
A	A570010	Detonating Cord - XHV, 80 gr., RDX - see ref. section
	A572010	Detonating Cord - XHV, 80 gr., HMX - see ref. section
--	DET-3050-429	Bi-Directional Booster
C	TAG-5000-306ZF	Charge, RDX, BH - Phantom™
	TAG-5000-406ZF	Charge, HMX, BH - Phantom™

PRODUCT INFORMATION:

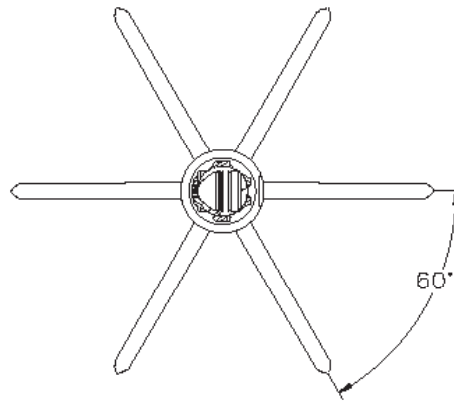
3-1/8" O.D. 6 spf, 60° Spiral System, Big Hole & BH - Phantom™

SPECIFICATIONS:

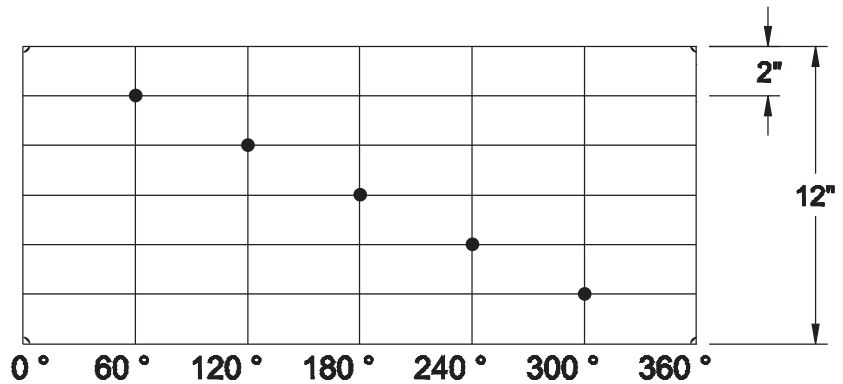
SPECIFICATIONS		
PRESSURE RATING	144.8 MPa	21,000 psi
TEMPERATURE	UP To 260°C	UP TO 500°F
TENSILE STRENGTH	80 068 daN	180,000 lbs
CARRIER THREAD	2-3/4" - 6 STUB ACME	
GUN WEIGHT LOADED	16.4 KG/M	11.0 LB/FT
TORSIONAL YIELD	4 475 N•m	3,300 lb-ft



PHASE:



SHOT PLOT:



NOTES:

*Guns are available in standard lengths from 2 through 21 ft. Gun lengths in increments of 0.5 ft are available by special order only. Charges and ancillary components for higher temperature applications are available by Special Order.*