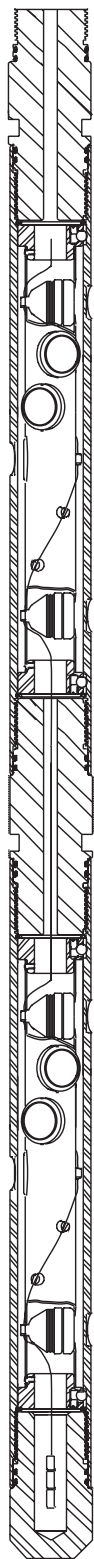
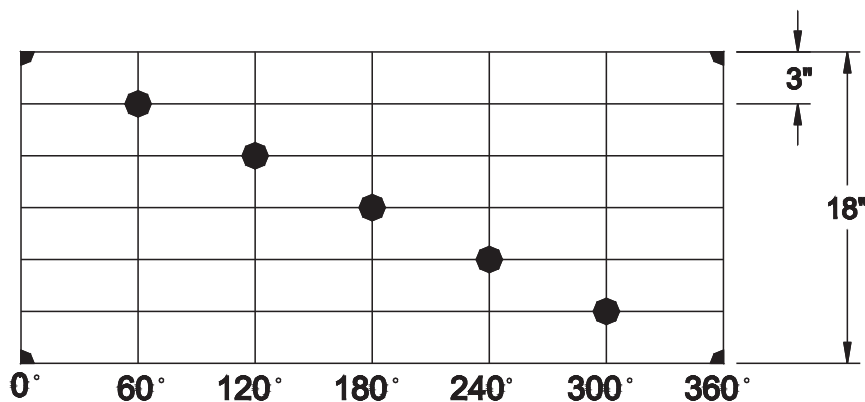
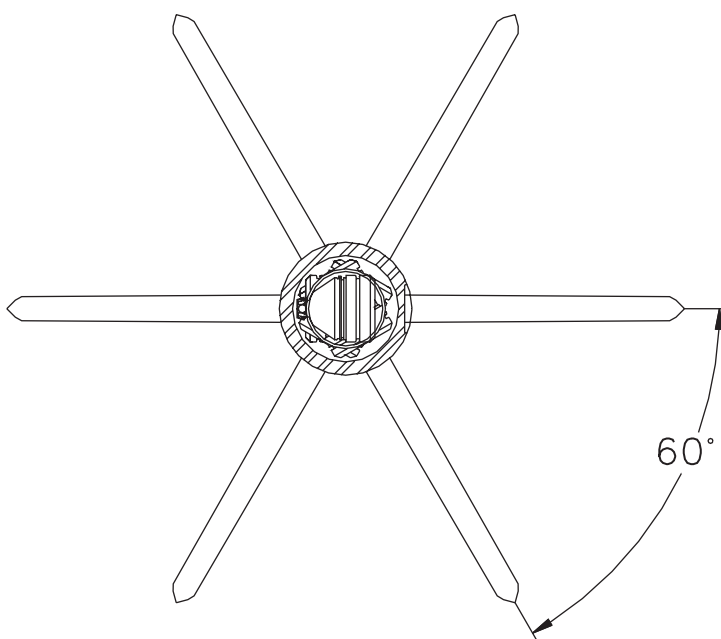


ITEM	PART NO.	DESCRIPTION
1	S40-0403-A21A	Shipping Assembly, 4" x 21', 4 spf, 60° Spiral
	S40-0403-A15A	Shipping Assembly, 4" x 15', 4 spf, 60° Spiral
	S40-0403-A11A	Shipping Assembly, 4" x 11', 4 spf, 60° Spiral
	S40-0403-A07A	Shipping Assembly, 4" x 7', 4 spf, 60° Spiral
	S40-0403-A04A	Shipping Assembly, 4" x 4', 4 spf, 60° Spiral
2	TAG-4000-720	Tube Strip, 21', 4 spf, 60° Spiral
	TAG-4000-719	Tube Strip, 15', 4 spf, 60° Spiral
	TAG-4000-718	Tube Strip, 11', 4 spf, 60° Spiral
	TAG-4000-717	Tube Strip, 7', 4 spf, 60° Spiral
	TAG-4000-716	Tube Strip, 4', 4 spf, 60° Spiral
3	TAG-4000-738	Carrier 4" x 21', 4 spf, 60° Spiral
	TAG-4000-737	Carrier 4" x 15', 4 spf, 60° Spiral
	TAG-4000-736	Carrier 4" x 11', 4 spf, 60° Spiral
	TAG-4000-735	Carrier 4" x 7', 4 spf, 60° Spiral
	TAG-4000-734	Carrier 4" x 4', 4 spf, 60° Spiral
4	TAG-4000-299U	End Plate Universal (1)
5	TAG-4000-173	Carrier Snap Ring (N-5000-325) (2)
6	TAG-4000-280	Top Sub 4" Adapts to TCP or Wireline Systems
7	TAG-4000-281	Tandem Sub 4"
8	TAG-4000-078	Bull Plug 4"
	TAG-4000-078S	Bull Plug 4" w/2-7/8" EUE pin on bottom
--	TCP-0100-275	Booster Transfer Kit, Universal - 3-1/3, 3-3/8 & 4" TAG
	TAG-0100-040	Insert (Included w/Transfer Kit) see page con-1.0"
10	DET-0010-001	Detonating Cord End Cover
11	OOO-N569-230	O-Ring, #230, 90 Duro Nitrile - see ref. section
	OOO-V569-230	O-Ring, #230, 90 Duro Viton - see ref. section
12	OOO-N569-236	O-Ring, #236, 90 Duro Nitrile - see ref. section
	OOO-V569-236	O-Ring, #236, 90 Duro Viton - see ref. section
A	DET-0325-021	Detonating Cord - XHV, 80 gr., RDX, LS - see ref. section
	DET-0412-015	Detonating Cord - XHV, 80 gr., HMX, LS - see ref. section
--	DET-3050-429	Bi-Directional Booster
C	SDP-4539-310	Charge, RDX, SDP-HERO® HARD ROCK
	SDP-4539-410	Charge, HMX, SDP-HERO® HARD ROCK
	SDP-4500-411NT3	Charge, HMX, SDP - NT3 - SUPER HERO®
	SDP-4500-311NT3	Charge, RDX, SDP - NT3 - SUPER HERO®
	TAG-4500-411	Charge, HMX, GH / DP
	TAG-4500-311	Charge, RDX, GH / DP
	HSC-5000-321Z	Charge, RDX, DP
	TAG-5000-313Z	Charge, RDX, DP
--	CAS-1795-001	Blank Charge Case (non-explosive)



SPECIFICATIONS		
PRESSURE RATING	131 Mpa	19,000 psi
TEMPERATURE	UP TO 260°C	UP TO 500°F
TENSILE STRENGTH	158,750 kg	350,000lbs
CARRIER THREAD	3-7/16" - 6 ACME	
GUN WEIGHT LOADED	29 kg/m	19.5 lb/ft



Note: Guns are available in standard lengths from 2 through 21 ft.

Gun lengths in increments of 0.5 ft are available by special order only.

Charges and ancillary components for higher temperature applications are available by Special Order.