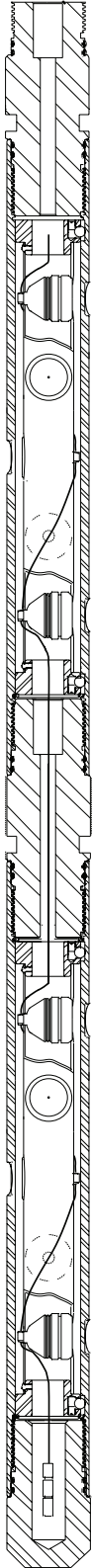
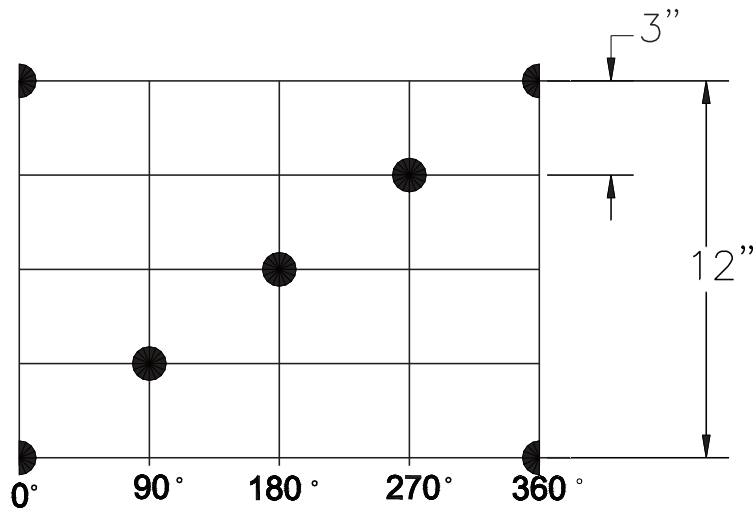
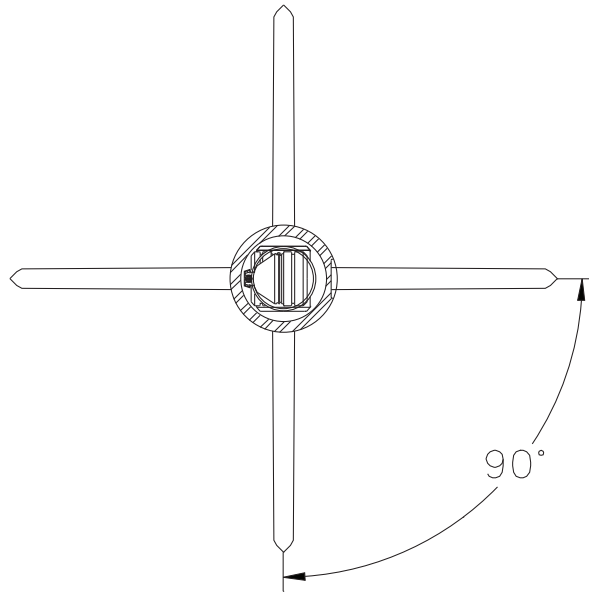


| ITEM | PART NO. | DESCRIPTION |
|------|-----------------|---|
| 1 | S40-0408-B21A | Shipping Assembly, 4" x 21', 4 spf, 90° Spiral |
| | S40-0408-B15A | Shipping Assembly, 4" x 15', 4 spf, 90° Spiral |
| | S40-0408-B11A | Shipping Assembly, 4" x 11', 4 spf, 90° Spiral |
| | S40-0408-B07A | Shipping Assembly, 4" x 7', 4 spf, 90° Spiral |
| | S40-0408-B04A | Shipping Assembly, 4" x 4', 4 spf, 90° Spiral |
| 2 | T21-0408-B21 | Tube Strip, 21', 4 spf, 90° Spiral |
| | T21-0408-B15 | Tube Strip, 15', 4 spf, 90° Spiral |
| | T21-0408-B11 | Tube Strip, 11', 4 spf, 90° Spiral |
| | T21-0408-B07 | Tube Strip, 7', 4 spf, 90° Spiral |
| | T21-0408-B04 | Tube Strip, 4', 4 spf, 90° Spiral |
| 3 | TAG-4000-085 | Carrier 4" x 21', 4 spf, 90° Spiral |
| | TAG-4000-094 | Carrier 4" x 15', 4 spf, 90° Spiral |
| | TAG-4000-095 | Carrier 4" x 11', 4 spf, 90° Spiral |
| | TAG-4000-090 | Carrier 4" x 7', 4 spf, 90° Spiral |
| | TAG-4000-091 | Carrier 4" x 4', 4 spf, 90° Spiral |
| 4 | TAG-4000-768U | End Plate Universal (1) |
| | TAG-4000-768UP | End Plate Universal w/pin (1) |
| 5 | TAG-4000-173 | Carrier Snap Ring (N-5000-325) (2) |
| 6 | TAG-4000-280 | Top Sub 4" Adapts to TCP or Wireline Systems |
| 7 | TAG-4000-281 | Tandem Sub 4" |
| 8 | TAG-4000-078 | Bull Plug 4" |
| | TAG-4000-078S | Bull Plug 4" w/2-7/8" EUE pin on bottom |
| -- | TCP-0100-275 | Booster Transfer Kit, Universal - 3-1/3, 3-3/8 & 4" TAG |
| | TAG-0100-040 | Insert (Included w//Transfer Kit) see page con-1.0 |
| 10 | DET-0010-001 | Detonating Cord End Cover |
| 11 | OOO-N569-230 | O-Ring, #230, 90 Duro Nitrile - see ref. section |
| | OOO-V569-230 | O-Ring, #230, 90 Duro Viton - see ref. section |
| 11A | OB-230-2817-4PE | O-Ring Backup, PEEK |
| 12 | OOO-N569-236 | O-Ring, #236, 90 Duro Nitrile - see ref. section |
| | OOO-V569-236 | O-Ring, #236, 90 Duro Viton - see ref. section |
| 12A | OB-236-3498-4PE | O-Ring Backup, PEEK |
| A | A578010 | Detonating Cord, 80 gr., RDX, LS - see ref. section |
| | A571010 | Detonating Cord, 80 gr., HMX, LS - see ref. section |
| -- | DET-3050-429 | Bi-Directional Booster |
| C | SDP-3121-310 | Charge, RDX, SDP-HERO HARD ROCK |
| | SDP-3121-410 | Charge, HMX, SDP-HERO HARD ROCK |
| | SDP-3325-310 | Charge, RDX, SDP-HERO HARD ROCK |
| | SDP-3325-410 | Charge, HMX, SDP-HERO HARD ROCK |
| | SDP-3125-411NT4 | Charge, HMX, SDP - NT4 - SUPER HERO™ |
| | SDP-3125-311NT4 | Charge, RDX, SDP - NT4 - SUPER HERO™ |
| | SDP-3375-411NT3 | Charge, HMX, SDP - NT3 - HERO™ |
| | SDP-3375-311NT3 | Charge, RDX, SDP - NT3 - HERO™ |
| | SDP-3375-311NT | Charge, RDX, SDP |
| | TAG-5000-360 | Charge, RDX, DP |
| | TAG-3375-311 | Charge, RDX, DP/GH |
| | TAG-3375-311L | Charge, RDX, DP |
| | TAG-3375-311SL | Charge, RDX, DP |
| | TAG-3375-302 | Charge, RDX, GH |
| | TAG-3375-301 | Charge, RDX, BH |
| -- | CAS-1365-002 | Blank Charge Case (non-explosive) |



| SPECIFICATIONS | | |
|-------------------|------------------|-------------|
| PRESSURE RATING | 127.6 Mpa | 18,500 psi |
| TEMPERATURE | UP TO 260°C | UP TO 500°F |
| TENSILE STRENGTH | 156,000 kg | 350,000lbs |
| CARRIER THREAD | 3-7/16" - 6 ACME | |
| GUN WEIGHT LOADED | 29 kg/m | 19.5 lb/ft |
| TORSIONAL YIELD | 11 250 N•m | 8,300 lb-ft |



Note: Guns are available in standard lengths from 2 through 21 ft.

Gun lengths in increments of 0.5 ft are available by special order only.

Charges and ancillary components for higher temperature applications are available by Special Order.