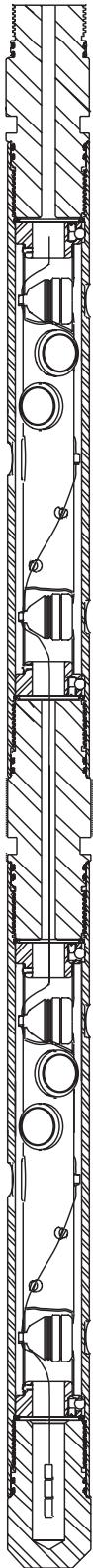
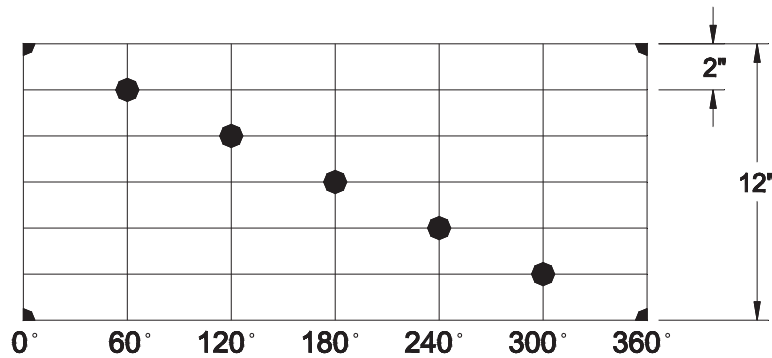
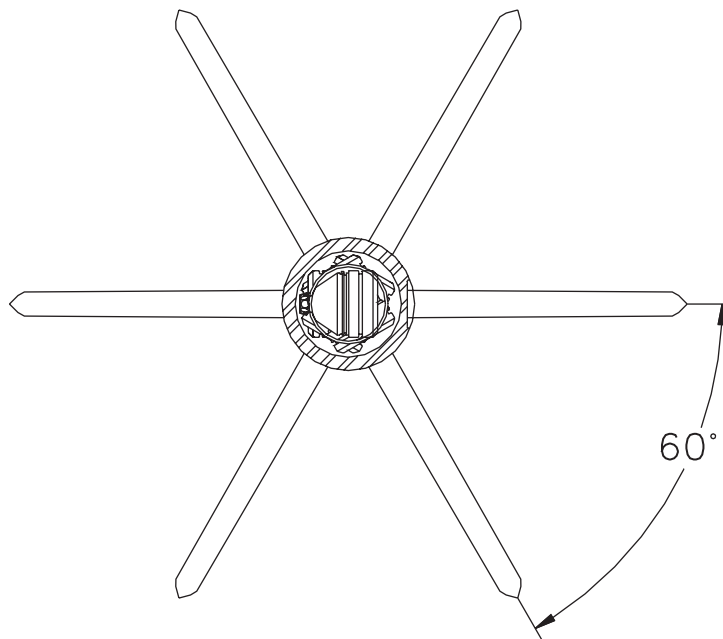


ITEM	PART NO.	DESCRIPTION
1	S40-0608-A21A	Shipping Assembly, 4" x 21', 6 spf, 60° Spiral
	S40-0608-A15A	Shipping Assembly, 4" x 15', 6 spf, 60° Spiral
	S40-0608-A11A	Shipping Assembly, 4" x 11', 6 spf, 60° Spiral
	S40-0608-A07A	Shipping Assembly, 4" x 7', 6 spf, 60° Spiral
	S40-0608-A04A	Shipping Assembly, 4" x 4', 6 spf, 60° Spiral
2	T21-0608-A21	Tube Strip, 21', 6 spf, 60° Spiral
	T21-0608-A15	Tube Strip, 15', 6 spf, 60° Spiral
	T21-0608-A11	Tube Strip, 11', 6 spf, 60° Spiral
	T21-0608-A07	Tube Strip, 7', 6 spf, 60° Spiral
	T21-0608-A04	Tube Strip, 4', 6 spf, 60° Spiral
3	TAG-4000-101	Carrier 4" x 21', 6 spf, 60° Spiral
	TAG-4000-188	Carrier 4" x 15', 6 spf, 60° Spiral
	TAG-4000-098	Carrier 4" x 11', 6 spf, 60° Spiral
	TAG-4000-097	Carrier 4" x 7', 6 spf, 60° Spiral
	TAG-4000-096	Carrier 4" x 4', 6 spf, 60° Spiral
4	TAG-4000-768U	End Plate Universal (1)
	TAG-4000-768UP	End Plate Universal w/pin (1)
5	TAG-4000-173	Carrier Snap Ring (N-5000-325) (2)
6	TAG-4000-280	Top Sub 4" Adapts to TCP or Wireline Systems
7	TAG-4000-281	Tandem Sub 4"
8	TAG-4000-078	Bull Plug 4"
	TAG-4000-078S	Bull Plug 4" w/2-7/8" EUE pin on bottom
--	TCP-0100-275	Booster Transfer Kit, Universal - 3-1/3, 3-3/8 & 4" TAG
	TAG-0100-040	Insert (Included w/Transfer Kit) see page con-1.0
10	DET-0010-001	Detonating Cord End Cover
11	OOO-N569-230	O-Ring, #230, 90 Duro Nitrile - see ref. section
	OOO-V569-230	O-Ring, #230, 90 Duro Viton - see ref. section
11A	OB-230-2817-4PE	O-Ring Backup, PEEK
12	OOO-N569-236	O-Ring, #236, 90 Duro Nitrile - see ref. section
	OOO-V569-236	O-Ring, #236, 90 Duro Viton - see ref. section
12A	OB-236-3498-4PE	O-Ring Backup, PEEK
A	A578010	Detonating Cord - 80 gr., RDX, LS - see ref. section
	A571010	Detonating Cord, 80 gr., HMX, LS - see ref. section
	A570010	Detonating Cord - XHV, 80 gr., RDX - see ref. section
	A572010	Detonating Cord - XHV, 80 gr., HMX - see ref. section
--	DET-3050-429	Bi-Directional Booster
C	SDP-3121-310	Charge, RDX, SDP-HERO HARD ROCK
	SDP-3121-410	Charge, HMX, SDP-HERO HARD ROCK
	SDP-3325-310	Charge, RDX, SDP-HERO HARD ROCK
	SDP-3325-410	Charge, HMX, SDP-HERO HARD ROCK
	SDP-3125-411NT4*	Charge, HMX, SDP - NT4 - SUPER HERO™
	SDP-3125-311NT4*	Charge, RDX, SDP - NT4 - SUPER HERO™
	SDP-3375-411NT3*	Charge, RDX, SDP - NT3 - HERO™
	SDP-3375-311NT3*	Charge, RDX, SDP - NT3 - HERO™
	SDP-3375-311NT *	Charge, RDX, SDP
	TAG-5000-360*	Charge, RDX, DP
	TAG-3375-311	Charge, RDX, DP/GH
	TAG-3375-311L	Charge, RDX, DP
	TAG-3375-311SL	Charge, RDX, DP
	TAG-3375-302*	Charge, RDX, GH
	TAG-3375-301	Charge, RDX, BH

***Requires XHV Detonating Cord**



SPECIFICATIONS		
PRESSURE RATING	127.6 Mpa	18,500 psi
TEMPERATURE	UP TO 260°C	UP TO 500°F
TENSILE STRENGTH	156,000 kg	350,000lbs
CARRIER THREAD	3-7/16" - 6 ACME	
GUN WEIGHT LOADED	29 kg/m	19.5 lb/ft
TORSIONAL YIELD	11 250 N•m	8,300 lb-ft
TANDEM SHOT SPACING	.42m	1.37ft



Note: Guns are available in standard lengths from 2 through 21 ft.
 Gun lengths in increments of 0.5 ft are available by special order only.
 Charges and ancillary components for higher temperature applications are available by Special Order.