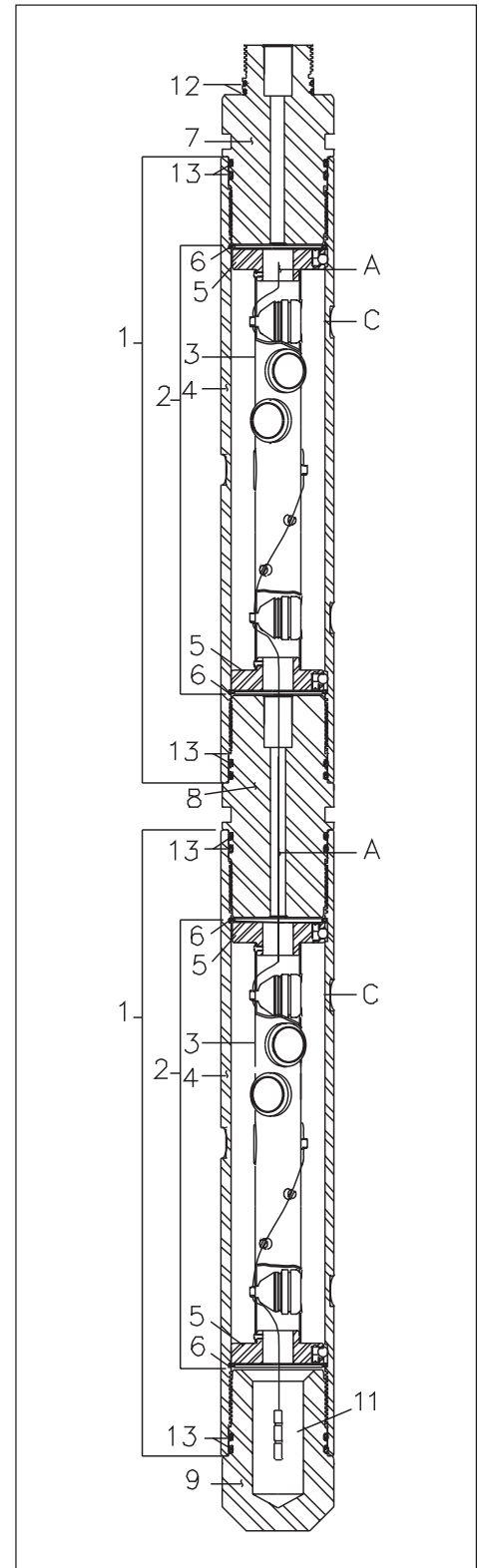


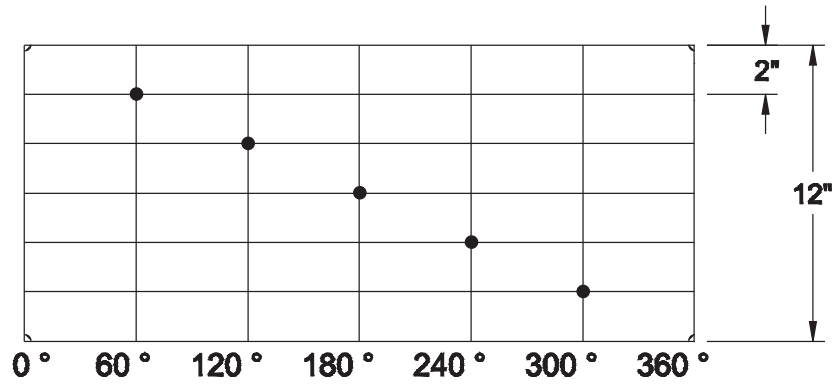
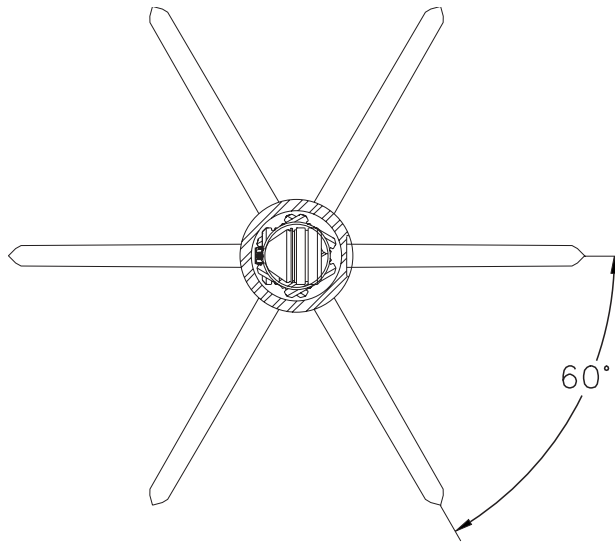
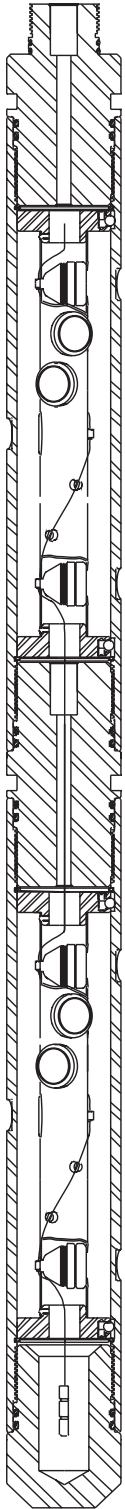
Item	Part No.	Description
1	S40-0643-A21A	Shipping Assembly, 4" x 21', 6 spf, 60° Spiral
	S40-0643-A15A	Shipping Assembly, 4" x 15', 6 spf, 60° Spiral
	S40-0643-A11A	Shipping Assembly, 4" x 11', 6 spf, 60° Spiral
	S40-0643-A07A	Shipping Assembly, 4" x 7', 6 spf, 60° Spiral
	S40-0643-A04A	Shipping Assembly, 4" x 4', 6 spf, 60° Spiral
2	A40-0643-A21	Tube Assembly, 4" x 21', 6 spf, 60° Spiral
	A40-0643-A15	Tube Assembly, 4" x 15', 6 spf, 60° Spiral
	A40-0643-A11	Tube Assembly, 4" x 11', 6 spf, 60° Spiral
	A40-0643-A07	Tube Assembly, 4" x 7', 6 spf, 60° Spiral
	A40-0643-A04	Tube Assembly, 4" x 4', 6 spf, 60° Spiral
3	T21-0643-A21	Tube Strip, 21', 6 spf, 60° Spiral
	T21-0643-A15	Tube Strip, 15', 6 spf, 60° Spiral
	T21-0643-A11	Tube Strip, 11', 6 spf, 60° Spiral
	T21-0643-A07	Tube Strip, 7', 6 spf, 60° Spiral
	T21-0643-A04	Tube Strip, 4', 6 spf, 60° Spiral
4	TAG-4000-101	Carrier 4" x 21', 6 spf, 60° Spiral
	TAG-4000-188	Carrier 4" x 15', 6 spf, 60° Spiral
	TAG-4000-098	Carrier 4" x 11', 6 spf, 60° Spiral
	TAG-4000-097	Carrier 4" x 7', 6 spf, 60° Spiral
	TAG-4000-096	Carrier 4" x 4', 6 spf, 60° Spiral
5	TAG-4000-768U	End Plate (1)
	TAG-4000-768UP	End Plate w/pin (1)
6	TAG-4000-173	Carrier Snap Ring (N-5000-325) (2)
7	TAG-4000-280	Top Sub 4" Adapts to TCP or Wireline Systems
8	TAG-4000-281	Tandem Sub 4"
9	TAG-4000-078	Bull Plug 4"
	TAG-4000-078S	Bull Plug 4" w/2-7/8" EUE pin on bottom
--	TCP-0100-275	Booster Transfer Kit
	TAG-0100-040	Insert (Included w/ end plate) see page con-1.0
11	DET-0010-001	Detonating Cord End Cover
12	OOO-N569-230	O-Ring, #230, 90 Duro Nitrile - see ref. section
	OOO-V569-230	O-Ring, #230, 90 Duro Viton - see ref. section
13	OOO-N569-236	O-Ring, #236, 90 Duro Nitrile - see ref. section
	OOO-V569-236	O-Ring, #236, 90 Duro Viton - see ref. section
A	DET-0325-021	Detonating Cord - XHV, 80 gr., RDX - see ref. section
	DET-0412-015	Detonating Cord - XHV, 80 gr., HMX - see ref. section
--	DET-3050-429	Bi-Directional Booster
C	SDP-3375-411NT3	Charge, RDX, DP
	SDP-3375-311NT3	Charge, RDX, DP
	TAG-3375-302	Charge, RDX, DP
--	TAG-3375-905	Blank Charge Case (non-explosive)



Note: Charges and ancillary components for higher temperature applications are available by Special Order.

**Scalloped Gun System,
4" O.D. 6 spf, 60° Spiral System,
SDP - NT3**

Owen Oil Tools



Specifications		
Pressure Rating	131MPa	19,000 psi
Temperature	UP TO 260°C	UP TO 500°F
Tensile Strength	158,750 kg	350,000 lbs
Carrier Thread	3-7/16" - 6 ACME	
Gun Weight Loaded	31 kg/m	20.8 lb/ft