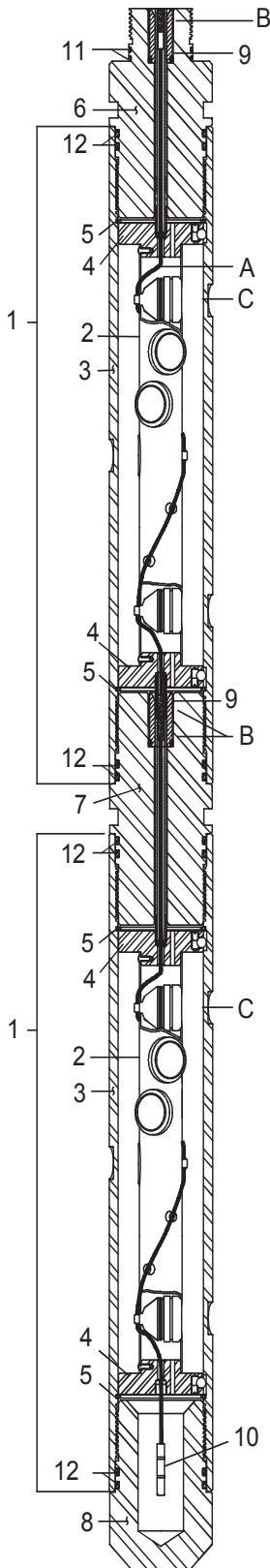


BILL OF MATERIALS:

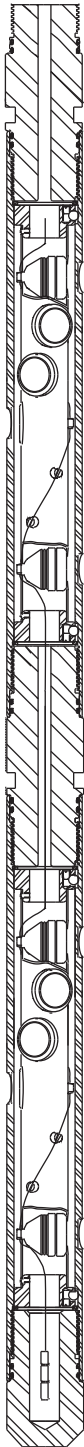


ITEM	PART NO.	DESCRIPTION
1	S45-0608-A21A	Shipping Assembly, 4-1/2" x 21', 6 spf, 60° Spiral
	S45-0608-A15A	Shipping Assembly, 4-1/2" x 15', 6 spf, 60° Spiral
	S45-0608-A11A	Shipping Assembly, 4-1/2" x 11', 6 spf, 60° Spiral
	S45-0608-A07A	Shipping Assembly, 4-1/2" x 7', 6 spf, 60° Spiral
	S45-0608-A04A	Shipping Assembly, 4-1/2" x 4', 6 spf, 60° Spiral
2	T21-0608-A21H	Tube Strip, 21', 6 spf, 60° Spiral
	T21-0608-A15H	Tube Strip, 15', 6 spf, 60° Spiral
	T21-0608-A11H	Tube Strip, 11', 6 spf, 60° Spiral
	T21-0608-A07H	Tube Strip, 7', 6 spf, 60° Spiral
	T21-0608-A04H	Tube Strip, 4', 6 spf, 60° Spiral
3	C45-0670-A21	Carrier 4-1/2" x 21', 6 spf, 60° Spiral
	C45-0670-A15	Carrier 4-1/2" x 15', 6 spf, 60° Spiral
	C45-0670-A11	Carrier 4-1/2" x 11', 6 spf, 60° Spiral
	C45-0670-A07	Carrier 4-1/2" x 7', 6 spf, 60° Spiral
	C45-0670-A04	Carrier 4-1/2" x 4', 6 spf, 60° Spiral
4	TAG-4500-755	End Plate (1)
	TAG-4500-755P	End Plate w/pin (1)
5	TAG-4500-081	Carrier Snap Ring (N-5000-375) (2)
6	TAG-4500-280L	Top Sub 4-1/2" Adapts to TCP or Wireline Systems
7	TAG-4500-281L	Tandem Sub 4-1/2"
8	TAG-4500-060	Bull Plug 4-1/2"
	TAG-4500-060S	Bull Plug 4-1/2" w/2-7/8" EUE pin on bottom
9	TCP-0100-275L	Booster Transfer Kit
10	DET-0010-001	Detonating Cord End Cover
11	OOO-N569-230	O-Ring, #230, 90 Duro Nitrile - see ref. section
	OOO-V569-230	O-Ring, #230, 90 Duro Viton - see ref. section
12	OOO-N569-342	O-Ring, #342, 90 Duro Nitrile - see ref. section
	OOO-V569-342	O-Ring, #342, 90 Duro Viton - see ref. section
--	TAG-5125-CEN	Centralizer Button, use on 7' through 21' (not shown)
	PUR-0600-112	Rivet, Aluminum Drive, use on 7' through 21' (not shown)
A	A578010	Detonating Cord, 80 gr., RDX, LS - see ref. section
	A571010	Detonating Cord, 80 gr., HMX, LS - see ref. section
	A570010	Detonating Cord - XHV, 80 gr., RDX - see ref. section
	A572010	Detonating Cord - XHV, 80 gr., HMX - see ref. section
B	DET-3050-429	Bi-Directional Booster
C	SDP-3121-310	Charge, RDX, SDP-HERO HARD ROCK
	SDP-3121-410	Charge, HMX, SDP-HERO HARD ROCK
	SDP-3325-310	Charge, RDX, SDP-HERO HARD ROCK
	SDP-3325-410	Charge, HMX, SDP-HERO HARD ROCK
	SDP-3125-411NT4*	Charge, HMX, SDP - NT4 - SUPER HERO™
	SDP-3125-311NT4*	Charge, RDX, SDP - NT4 - SUPER HERO™
	SDP-3375-411NT3*	Charge, HMX, SDP - NT3 - HERO™
	SDP-3375-311NT3*	Charge, RDX, SDP - NT3 - HERO™
	SDP-3375-311NT*	Charge, RDX, SDP
	TAG-3375-311	Charge, RDX, DP/GH
	TAG-3375-311L	Charge, RDX, DP
	TAG-3375-311SL	Charge, RDX, DP
	TAG-3375-301	Charge, RDX, BH
	TAG-3375-331	Charge, RDX, DP/GH
CAS-1365-002	Blank Charge Case (non explosive)	

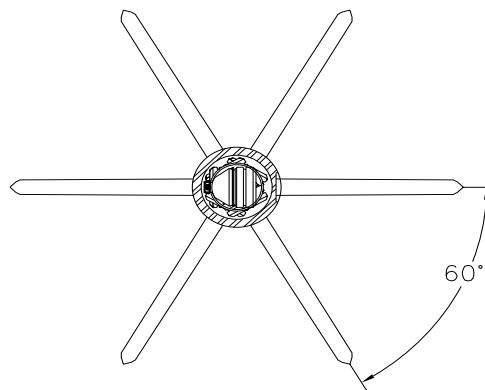
* Requires XHV Detonating Cord

SPECIFICATIONS:

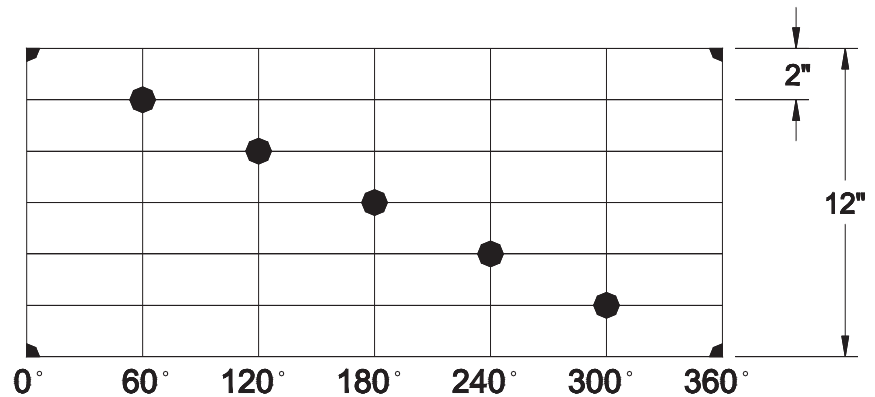
PRESSURE RATING	117.2 Mpa	17,000 psi
TEMPERATURE	UP TO 206°C	UP TO 500°F
TENSILE STRENGTH	165 000 daN	370,000lbs
CARRIER THREAD	3-15/16" - 6 ACME	
TANDEM SHOT SPACING	0.37 m	1.22 ft
GUN WEIGHT LOADED	32.7 kg/m	22 lb/ft
TORSIONAL YIELD	14 400 N•m	10,650 lb-ft



PHASE:



SHOT PLOT:



Note: Guns are available in standard lengths from 2 through 21 ft.

Gun lengths in increments of 0.5 ft are available by special order only.

Charges and ancillary components for higher temperature applications are available by Special Order.