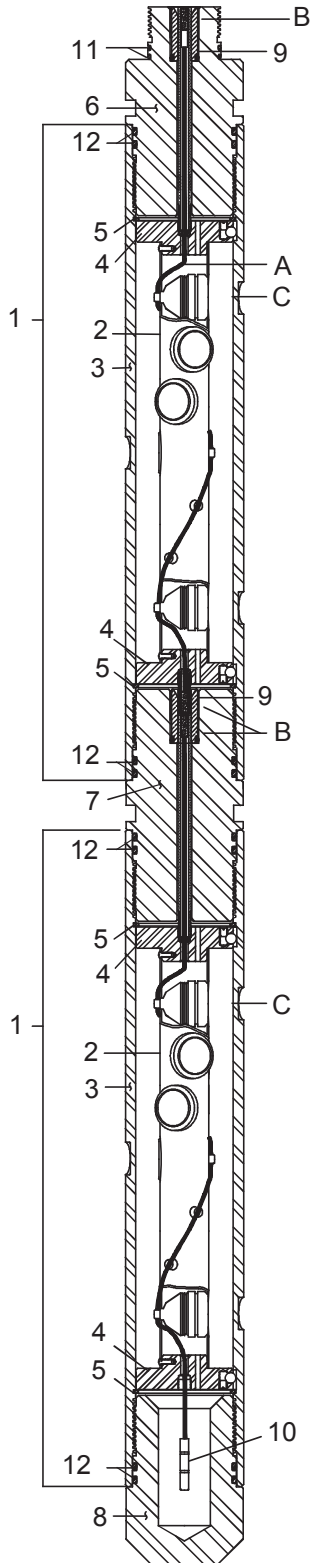


BILL OF MATERIALS:



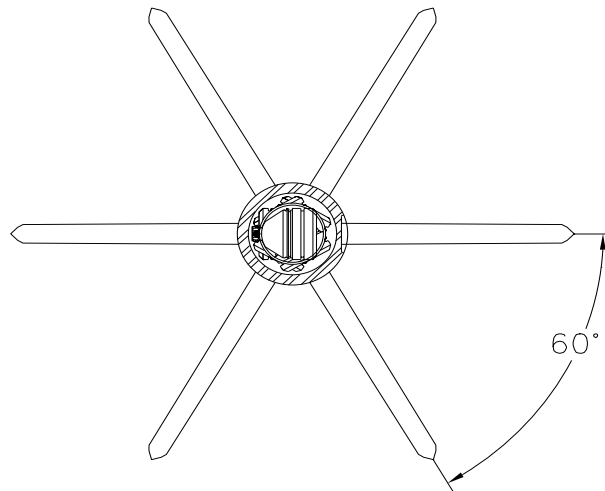
ITEM	PART NO.	DESCRIPTION
1	S52-0503-A21B	Shipping Assembly, 5-1/8" x 21', 5 spf, 60° Spiral
	S52-0503-A15B	Shipping Assembly, 5-1/8" x 15', 5 spf, 60° Spiral
	S52-0503-A11B	Shipping Assembly, 5-1/8" x 11', 5 spf, 60° Spiral
	S52-0503-A07B	Shipping Assembly, 5-1/8" x 7', 5 spf, 60° Spiral
	S52-0503-A04B	Shipping Assembly, 5-1/8" x 4', 5 spf, 60° Spiral
2	TAG-5010-135H	Tube Strip, x 21', 5 spf, 60° Spiral
	TAG-5010-136H	Tube Strip, x 15', 5 spf, 60° Spiral
	TAG-5010-137H	Tube Strip, x 11', 5 spf, 60° Spiral
	TAG-5010-138H	Tube Strip, x 7', 5 spf, 60° Spiral
	TAG-5010-139H	Tube Strip, x 4', 5 spf, 60° Spiral
3	TAG-5125-121	Carrier 5-1/8", x 21', 5 spf, 60° Spiral
	TAG-5125-120	Carrier 5-1/8", x 15', 5 spf, 60° Spiral
	TAG-5125-123	Carrier 5-1/8", x 11', 5 spf, 60° Spiral
	TAG-5125-124	Carrier 5-1/8", x 7', 5 spf, 60° Spiral
	TAG-5125-125	Carrier 5-1/8", x 4', 5 spf, 60° Spiral
4	TAG-5000-229	End Plate (1)
	TAG-5000-229P	End Plate w/pin (1)
5	TAG-5000-178	Carrier Snap Ring (N-5000-425) (2)
6	TAG-5125-280L	Top Sub 5-1/8" Adapts to TCP or Wireline Systems
7	TAG-5125-281L	Tandem Sub 5-1/8"
8	TAG-5125-060	Bull Plug 5-1/8"
	TAG-5125-060S	Bull Plug 5-1/8" w/2-7/8" EUE pin on bottom
9	TCP-0100-275L	Booster Transfer Kit
10	DET-0010-001	Detonating Cord End Cover
11	OOO-N569-230	O-Ring, #230, 90 Duro Nitrile - see ref. section
	OOO-V569-230	O-Ring, #230, 90 Duro Viton - see ref. section
12	OOO-N569-346	O-Ring, #346, 90 Duro Nitrile - see ref. section
	OOO-V569-346	O-Ring, #346, 90 Duro Viton - see ref. section
--	TAG-5125-CEN	Centralizer, Button, used on 7' - 21' (not shown)
--	PUR-0600-112	Rivet, Aluminum Drive, used on 7' - 21' (not shown)
A	A570010	Detonating Cord - XHV, 80 gr., RDX - see ref. section
	A572010	Detonating Cord - XHV, 80 gr., HMX - see ref. section
B	DET-3050-429	Bi-Directional Booster
C	SDP-4539-310	Charge, RDX, SDP-HERO HARD ROCK
	SDP-4539-410	Charge, HMX, SDP-HERO HARD ROCK
	SDP-4500-411NT3	CHARGE, HMX, SDP - NT3 - SUPER HERO™
	SDP-4500-311NT3	CHARGE, RDX, SDP - NT3 - SUPER HERO™
	TAG-4500-411	Charge, HMX, GH / DP
	TAG-4500-311	Charge, RDX, GH / DP
-	CAS-1795-001	Blank Charge Case (non explosive)

Note: All 5-1/8" systems can utilize Owen 5" LP subs

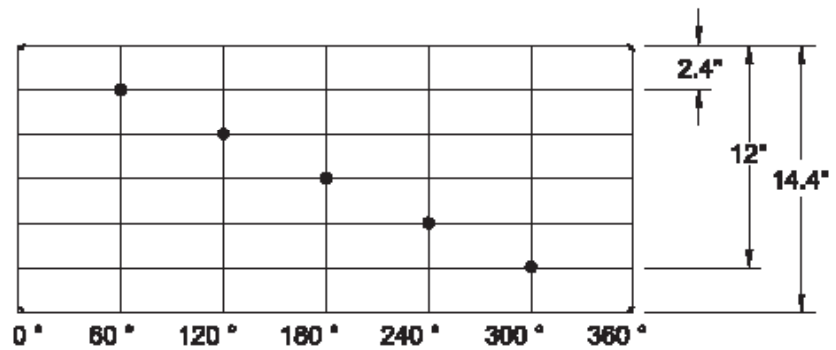
SPECIFICATIONS:

PRESSURE RATING	120.7 Mpa	17,500 psi
TEMPERATURE	UP TO 260°C	UP TO 500°F
TENSILE STRENGTH	159 000 daN	350,000lbs
CARRIER THREAD	4-1/2" - 6 ACME	
GUN WEIGHT LOADED	40 kg/m	27 lb/ft
TORSIONAL YIELD	20 470 N•m	15,100 lb-ft

PHASE:



SHOT PLOT:



NOTES:

Guns are available in standard lengths from 2 through 21 ft. Gun lengths in increments of 0.5 ft are available by special order only. Charges and ancillary components for higher temperature applications are available by Special Order.

