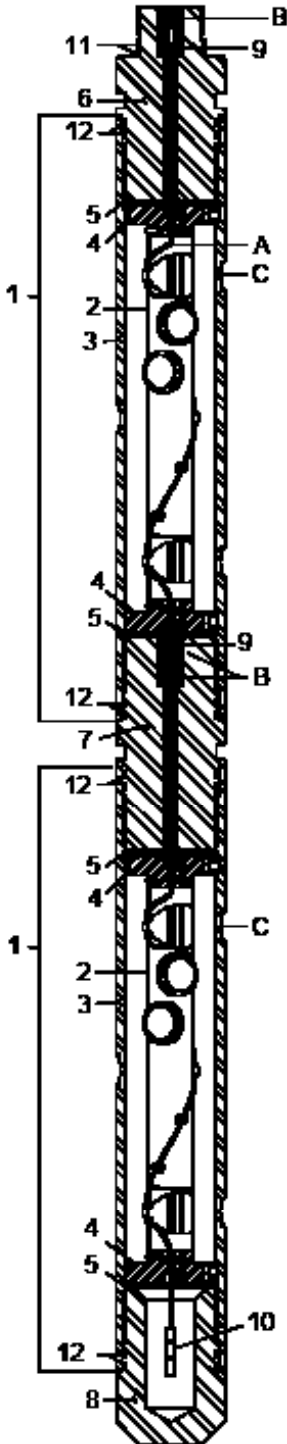


BILL OF MATERIALS:



ITEM	PART NO.	DESCRIPTION
1	S52-0608-A21A	Shipping Assembly, 5-1/8" x 21', 6 spf, 60° Spiral
	S52-0608-A15A	Shipping Assembly, 5-1/8" x 15', 6 spf, 60° Spiral
	S52-0608-A11A	Shipping Assembly, 5-1/8" x 11', 6 spf, 60° Spiral
	S52-0608-A07A	Shipping Assembly, 5-1/8" x 7', 6 spf, 60° Spiral
	S52-0608-A04A	Shipping Assembly, 5-1/8" x 4', 6 spf, 60° Spiral
2	T21-0608-A21H	Tube Strip, 21', 6 spf, 60° Spiral
	T21-0608-A15H	Tube Strip, 15', 6 spf, 60° Spiral
	T21-0608-A11H	Tube Strip, 11', 6 spf, 60° Spiral
	T21-0608-A07H	Tube Strip, 7', 6 spf, 60° Spiral
	T21-0608-A04H	Tube Strip, 4', 6 spf, 60° Spiral
3	C52-0670-A21	Carrier 5-1/8" x 21', 6 spf, 60° Spiral
	C52-0670-A15	Carrier 5-1/8" x 15', 6 spf, 60° Spiral
	C52-0670-A11	Carrier 5-1/8" x 11', 6 spf, 60° Spiral
	C52-0670-A07	Carrier 5-1/8" x 7', 6 spf, 60° Spiral
	C52-0670-A04	Carrier 5-1/8" x 4', 6 spf, 60° Spiral
4	TAG-5000-755	End Plate (1)
	TAG-5000-755P	End Plate w/pin (1)
5	TAG-5000-178	Carrier Snap Ring (N-5000-425) (2)
6	TAG-5125-280L	Top Sub 5-1/8" Adapts to TCP or Wireline Systems
7	TAG-5125-281L	Tandem Sub 5-1/8"
8	TAG-5125-060	Bull Plug 5-1/8"
9	TCP-0100-275L	Booster Transfer Kit
10	DET-0010-001	Detonating Cord End Cover
11	OOO-N569-230	O-Ring, #230, 90 Duro Nitrile - see ref. section
	OOO-V569-230	O-Ring, #230, 90 Duro Viton - see ref. section
12	OOO-N569-346	O-Ring, #346, 90 Duro Nitrile - see ref. section
	OOO-V569-346	O-Ring, #346, 90 Duro Viton - see ref. section
A	A578010	Detonating Cord, 80 gr., RDX, LS - see ref. section
	A571010	Detonating Cord, 80 gr., HMX, LS - see ref. section
	A570010	Detonating Cord - XHV 80 gr., RDX - see ref. section
	A572010	Detonating Cord - XHV 80 gr., HMX - see ref. section
	TAG-7000-CEN	Centralizer, Button, used on 7' - 21' (not shown)
	PUR-0600-112	Rivet, Aluminum Drive, used on 7' - 21' (not shown)
B	DET-3050-429	Bi-Directional Booster
C	SDP-3121-310	Charge, RDX, SDP-HERO HARD ROCK
	SDP-3121-410	Charge, HMX, SDP-HERO HARD ROCK
	SDP-3325-310	Charge, RDX, SDP-HERO HARD ROCK
	SDP-3325-410	Charge, HMX, SDP-HERO HARD ROCK
	SDP-3125-411NT4*	Charge, HMX, SDP - NT4 - SUPER HERO™
	SDP-3125-311NT4*	Charge, RDX, SDP - NT4 - SUPER HERO™
	SDP-3375-411NT3*	Charge, HMX, SDP - NT3 - HERO™
	SDP-3375-311NT3*	Charge, RDX, SDP - NT3 - HERO™
	SDP-3375-311NT*	Charge, RDX, SDP
	TAG-3375-311	Charge, RDX, DP/GH
	TAG-3375-311L	Charge, RDX, DP
	TAG-3375-311SL	Charge, RDX, DP
	TAG-3375-331	Charge, RDX, DP/GH
	TAG-3375-301	Charge, RDX, BH
		CAS-1365-002

* This charge requires XHV Detonating Cord

Note: All 5-1/8" systems can utilize Owen 5"LP subs



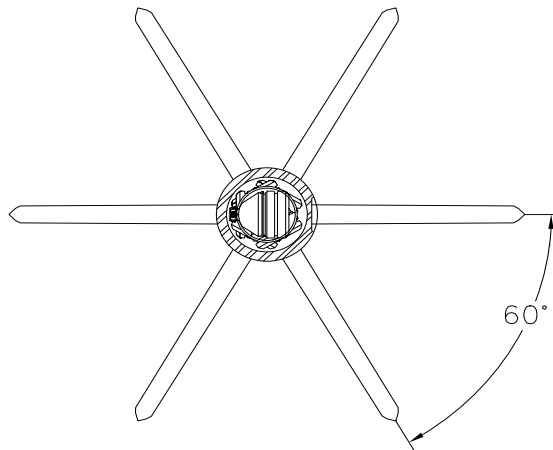
PRODUCT INFORMATION:

5-1/8" O.D. 6 spf, 60° Spiral, DP, GH, BH & SDP

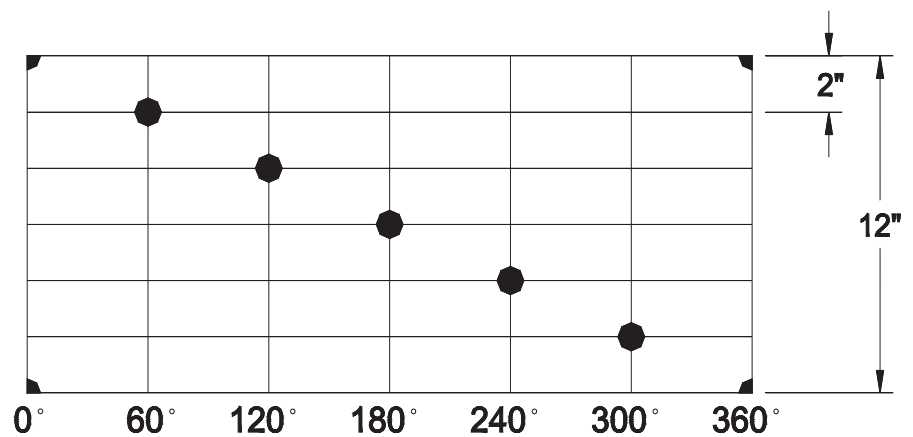
SPECIFICATIONS:

PRESSURE RATING	120.7 Mpa	17,500 psi
TEMPERATURE	UP TO 206°C	UP TO 500°F
TENSILE STRENGTH	156 000 daN	350,000lbs
CARRIER THREAD	4-1/2" - 6 ACME	
GUN WEIGHT LOADED	40 kg/m	27 lb/ft
TORSIONAL YIELD	20 470 N•m	15,100 lb-ft

PHASE:



SHOT PLOT:



NOTES:

*Guns are available in standard lengths from 2 through 21 ft.
 Gun lengths in increments of 0.5 ft are available by special order only.
 Charges and ancillary components for higher temperature applications are available by Special Order.*

© 2018-2020 Owen Oil Tools All Rights Reserved