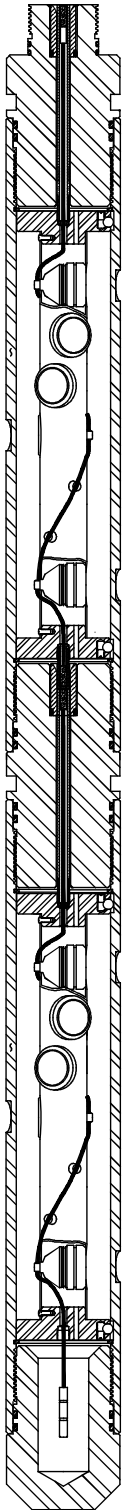
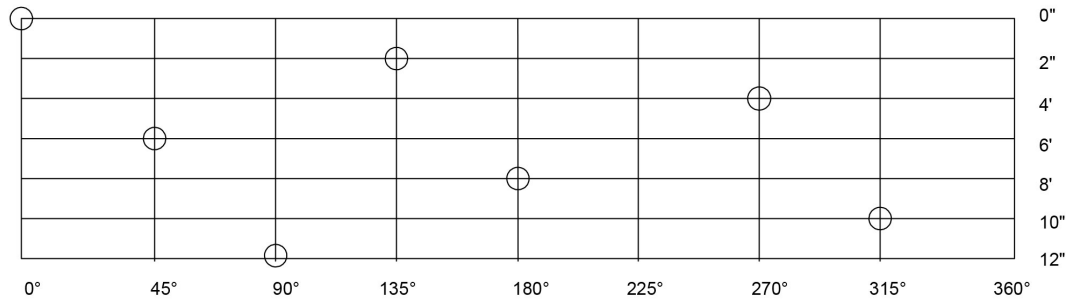
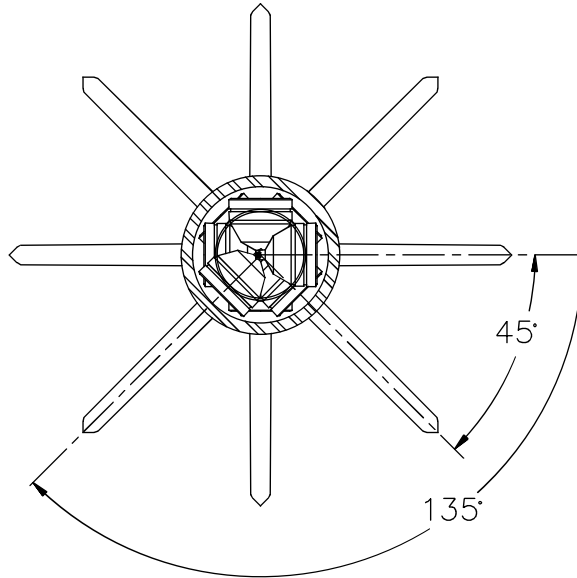


| ITEM | PART NO.       | DESCRIPTION  |
|------|----------------|--|
| 1    | S52-0627-C21A  | Shipping Assembly, 5-1/8" x 21', 6 spf, 135° Spiral              |
|      | S52-0627-C15A  | Shipping Assembly, 5-1/8" x 15', 6 spf, 135° Spiral              |
|      | S52-0627-C11A  | Shipping Assembly, 5-1/8" x 11', 6 spf, 135° Spiral              |
|      | S52-0627-C07A  | Shipping Assembly, 5-1/8" x 07', 6 spf, 135° Spiral              |
|      | S52-0627-C04A  | Shipping Assembly, 5-1/8" x 04', 6 spf, 135° Spiral              |
| 2    | T27-0627-C21   | Tube Strip, 21', 6 spf, 135° Spiral                              |
|      | T27-0627-C15   | Tube Strip, 15', 6 spf, 135° Spiral                              |
|      | T27-0627-C11   | Tube Strip, 11', 6 spf, 135° Spiral                              |
|      | T27-0627-C07   | Tube Strip, 07', 6 spf, 135° Spiral                              |
|      | T27-0627-C04   | Tube Strip, 04', 6 spf, 135° Spiral                              |
| 3    | C52-0670-C21A  | Carrier, 5-1/8" x 21', 6 spf, 135° Spiral                        |
|      | C52-0670-C15A  | Carrier, 5-1/8" x 15', 6 spf, 135° Spiral                        |
|      | C52-0670-C11A  | Carrier, 5-1/8" x 11', 6 spf, 135° Spiral                        |
|      | C52-0670-C07A  | Carrier, 5-1/8" x 07', 6 spf, 135° Spiral                        |
|      | C52-0670-C04A  | Carrier, 5-1/8" x 04', 6 spf, 135° Spiral                        |
| 4    | TAG-5125-295   | End Plate (1)  |
|      | TAG-5125-295P  | End Plate w/pin (1)  |
| 5    | TAG-5000-178   | Carrier Snap Ring (N-5000-425) (2)                               |
| 6    | TAG-5125-280L  | Top Sub 5-1/8" Adapts to TCP or Wireline Systems                 |
|      | TAG-5125-280LC | Top Sub w/centralizers, 5-1/8" Adapts to TCP or Wireline Systems |
| 7    | TAG-5125-281L  | Tandem Sub 5-1/8"  |
|      | TAG-5125-281LC | Tandem Sub w/centralizers, 5-1/8"                                |
|      | TAG-5125-281BB | Tandem Sub, 5-1/8" Big Bore                                      |
| 8    | TAG-5125-060   | Bull Plug 5-1/8"   |
|      | TAG-5125-060C  | Bull Plug w/centralizers, 5-1/8"                                 |
| 9    | TCP-0100-275L  | Booster Transfer Kit   |
|      | TCP-0100-275BB | Booster Tube - Big Bore  |
| 10   | DET-0010-001   | Denonating Cord End Cover  |
| 11   | OOO-N569-230   | O-Ring, #230, 90 Duro Nitrile - see ref. section                 |
|      | OOO-V569-230   | O-Ring, #230, 90 Duro Viton - see ref. section                   |
| 12   | OOO-N569-346   | O-Ring, #346, 90 Duro Nitrile - see ref. section                 |
|      | OOO-V569-346   | O-Ring, #346, 90 Duro Viton - see ref. section                   |
|      | TAG-7000-CEN   | Centralizer, Button, used on 7' - 21' (not shown)                |
|      | PUR-0600-112   | Rivet, Aluminum Drive, used on 7' - 21' (not shown)              |
| A    | A578010        | Detonating Cord, 80 gr., RDX, LS - see ref. section              |
|      | A571010        | Detonating Cord, 80 gr., HMX, LS - see ref. section              |
|      | A570010        | Detonating Cord, XHV 80 gr., RDX - see ref. section              |
|      | A572010        | Detonating Cord, XHV 80 gr., HMX - see ref. section              |
| B    | DET-3050-429   | Bi-Directional Booster   |
| C    | SBH-5528-330   | Charge, RDX, SBH   |
|      | SBH-5528-430   | Charge, HMX, SBH   |
|      | PAC-5128-450   | Charge, HMX, PAC   |
| *    | TAG-5250-075   | Blank Charge Case (non-explosive)                                |



| SPECIFICATIONS    |                 |              |
|-------------------|-----------------|--------------|
| PRESSURE RATING   | 120.7 Mpa       | 17,500 psi   |
| TEMPERATURE       | UP TO 206°C     | UP TO 500°F  |
| TENSILE STRENGTH  | 156 000 daN     | 350,000lbs   |
| CARRIER THREAD    | 4-1/2" - 6 ACME |              |
| GUN WEIGHT LOADED | 40 kg/m         | 27 lb/ft     |
| TORSIONAL YIELD   | 20 470 N•m      | 15,100 lb-ft |



**Note:** Guns are available in standard lengths from 2 through 21 ft.  
 Gun lengths in increments of 0.5 ft are available by special order only.  
 Charges and ancillary components for higher temperature applications are available by Special Order.