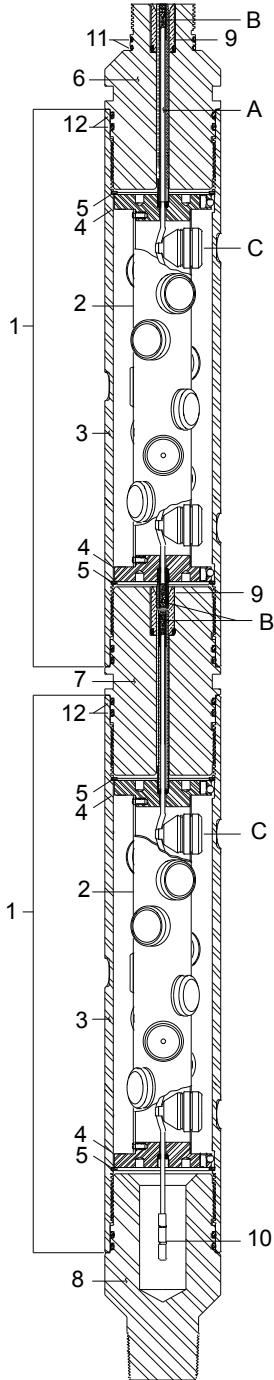


BILL OF MATERIALS:



ITEM	PART NO.	DESCRIPTION
1	S52-1614-C21A	Shipping Assembly, 5-1/8" x 21', 16 spf, 135° Spiral
	S52-1614-C15A	Shipping Assembly, 5-1/8" x 15', 16 spf, 135° Spiral
	S52-1614-C11A	Shipping Assembly, 5-1/8" x 11', 16 spf, 135° Spiral
	S52-1614-C07A	Shipping Assembly, 5-1/8" x 7', 16 spf, 135° Spiral
	S52-1614-C04A	Shipping Assembly, 5-1/8" x 4', 16 spf, 135° Spiral
2	TAG-4500-287	Tube Strip, 21', 16 spf, 135° Spiral
	TAG-4500-286	Tube Strip, 15', 16 spf, 135° Spiral
	TAG-4500-285	Tube Strip, 11', 16 spf, 135° Spiral
	TAG-4500-284	Tube Strip, 7', 16 spf, 135° Spiral
	TAG-4500-283	Tube Strip, 4', 16 spf, 135° Spiral
3	TAG-5125-265	Carrier 5-1/8" x 21', 16 spf, 135° Spiral
	TAG-5125-264	Carrier 5-1/8" x 15', 16 spf, 135° Spiral
	TAG-5125-263	Carrier 5-1/8" x 11', 16 spf, 135° Spiral
	TAG-5125-262	Carrier 5-1/8" x 7', 16 spf, 135° Spiral
	TAG-5125-261	Carrier 5-1/8" x 4', 16 spf, 135° Spiral
4	TAG-5125-149	End Plate (1)
	TAG-5125-149P	End Plate w/pin (1)
5	TAG-5000-178	Carrier Snap Ring (N-5000-425) (2)
6	TAG-5125-280L	Top Sub 5-1/8" Adapts to TCP or Wireline Systems
7	TAG-5125-281L	Tandem Sub 5-1/8"
8	TAG-5125-060	Bull Plug 5-1/8"
	TAG-5125-060S	Bull Plug 5-1/8" w/2-7/8" EUE pin on bottom
9	TCP-0100-275L	Booster Transfer Kit
10	DET-0010-001	Detonating Cord End Cover
11	OOO-N569-230	O-Ring, #230, 90 Duro Nitrile - see ref. section
	OOO-V569-230	O-Ring, #230, 90 Duro Viton - see ref. section
12	OOO-N569-346	O-Ring, #346, 90 Duro Nitrile - see ref. section
	OOO-V569-346	O-Ring, #346, 90 Duro Viton - see ref. section
A	A578010	Detonating Cord, 80 gr., RDX, LS - see ref. section
	A571010	Detonating Cord, 80 gr., HMX, LS - see ref. section
B	DET-3050-429	Bi-Directional Booster
C	TAG-5000-406ZF	Charge, HMX, BH - Phantom
	TAG-5000-306ZF	Charge, RDX, BH - Phantom
--	TAG-4500-118	Blank Charge Case (non-explosive)

Note: All 5-1/8" systems can utilize Owen 5" LP subs

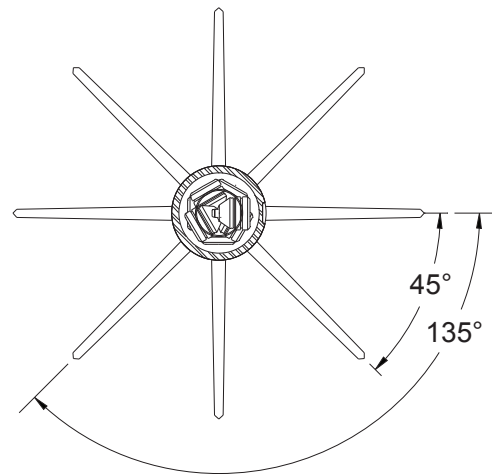
PRODUCT INFORMATION:

5-1/8" O.D. 16 spf, 135°/45° Spiral, UHSD System, BH, BH-Kiss™ & BH-Phantom™

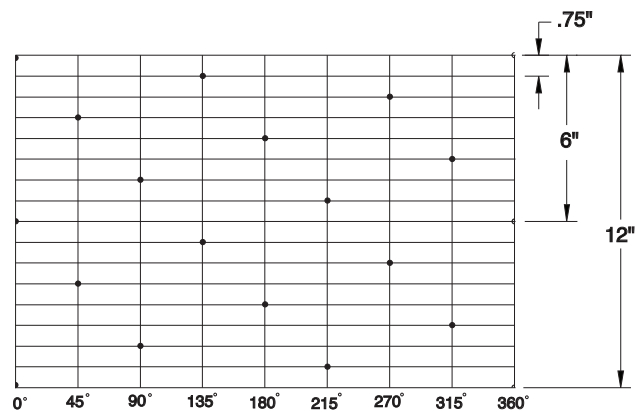
SPECIFICATIONS:

PRESSURE RATING	120.7 Mpa	17,500 psi
TEMPERATURE	UP TO 206°C	UP TO 500°F
TENSILE STRENGTH	156 000 daN	350,000lbs
CARRIER THREAD	4-1/2" - 6 ACME	
GUN WEIGHT LOADED	40 kg/m	27 lb/ft
TORSIONAL YIELD	20 470 N•m	15,100 lb-ft

PHASE:



SHOT PLOT:



NOTES:

*Do not partially load gun. If partial loading is required, a blank charge case must be used for each charge hole in the tube strip that is skipped. Charges and ancillary components for higher temperature applications are available by Special Order.*

