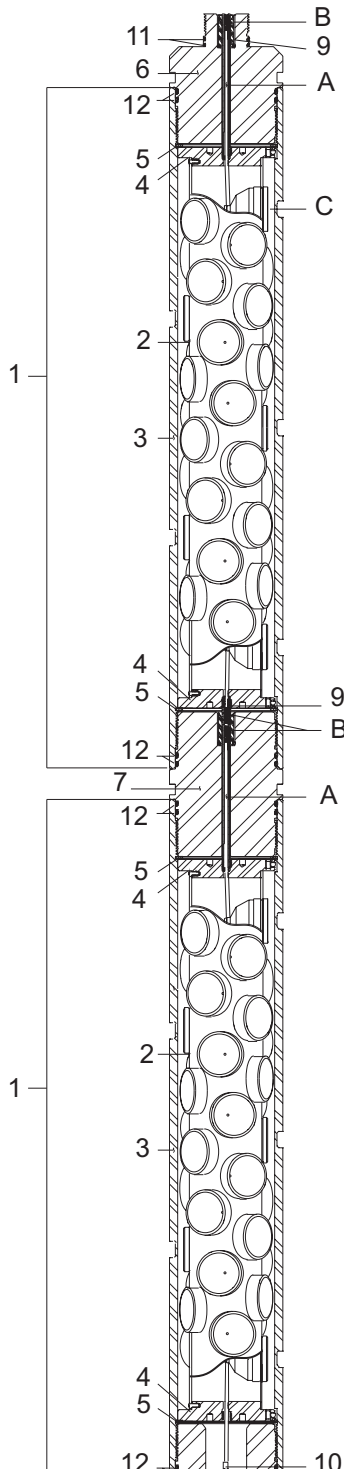


BILL OF MATERIALS:



ITEM	PART NO.	DESCRIPTION
1	S55-1827-D21W	Shipping Assembly, 5-1/2" x 21', 18 spf, 140° Sprial
	S55-1827-D15W	Shipping Assembly, 5-1/2" x 15', 18 spf, 140° Sprial
	S55-1827-D11W	Shipping Assembly, 5-1/2" x 11', 18 spf, 140° Sprial
	S55-1827-D07W	Shipping Assembly, 5-1/2" x 7', 18 spf, 140° Sprial
	S55-1827-D04W	Shipping Assembly, 5-1/2" x 4', 18 spf, 140° Sprial
2	T35-1827-D21WT	Tube Strip, 21', 18 spf, 140° Sprial
	T35-1827-D15WT	Tube Strip, 15', 18 spf, 140° Sprial
	T35-1827-D11WT	Tube Strip, 11', 18 spf, 140° Sprial
	T35-1827-D07WT	Tube Strip, 7', 18 spf, 140° Sprial
	T35-1827-D04WT	Tube Strip, 4', 18 spf, 140° Sprial
3	C55-1870-D21C	Carrier, 5-1/2" x 21', 18 spf, 140° Sprial
	C55-1870-D15C	Carrier, 5-1/2" x 15', 18 spf, 140° Sprial
	C55-1870-D11C	Carrier, 5-1/2" x 11', 18 spf, 140° Sprial
	C55-1870-D07C	Carrier, 5-1/2" x 7', 18 spf, 140° Sprial
	C55-1870-D04C	Carrier, 5-1/2" x 4', 18 spf, 140° Sprial
4	TAG-5500-769	End Plate (1)
	TAG-5500-769P	End Plate w/pin (1)
5	TAG-5500-178	Carrier Snap Ring (N-5000-475) (2)
6	TAG-5500-280L	Top Sub 5-1/2" Adapts to TCP or Wireline Systems
7	TAG-5500-281BB	Tandem Sub 5-1/2"-Big Bore
	TAG-5500-281L	Tandem Sub 5-1/2"
8	TAG-5500-060	Bull Plug 5-1/2"
	TAG-5500-060S	Bull Plug 5-1/2" w/2-7/8" EUE pin on bottom
9	TCP-0100-275L	Booster Transfer Kit
	TCP-0100-275BB	Booster Transfer Kit-Big Bore
10	DET-0010-001	Detonating Cord End Cover
11	OOO-N569-230	O-Ring, #230, 90 Duro Nitrile - see ref. section
	OOO-V569-230	O-Ring, #230, 90 Duro Viton - see ref. section
12	OOO-N569-351	O-Ring, #351, 90 Duro Nitrile - see ref. section
	OOO-V569-351	O-Ring, #351, 90 Duro Viton - see ref. section
--	TAG-4500-CEN	Centralizer, Button, used in 7' through 21' Guns (not shown)
--	PUR-0600-112	Aluminum Drive, used in 7' through 21' Guns (not shown)
A	A570010	Detonating Cord - XHV, 80 gr., RDX - see ref. section
	A572010	Detonating Cord - XHV, 80 gr., HMX - see ref. section
B	DET-3050-429	Bi-Directional Booster
C	TAG-5250-301ZF	PERF 5-1/8" 18SPF SBH ZINC/PHINODAL RDX
	TAG-5250-401ZF	PERF 5-1/8" 18SPF SBH ZINC/PHINODAL HMX
	TAG-5250-301F	PERF 5-1/8" 18 SPF SBH STEEL/ PHINODAL RDX
	SBH-5528-350	PERF. 5-1/2" SBH, RDX
	SBH-5528-450	PERF. 5-1/2" SBH, HMX
	PAC-5128-450	PERF. 5-1/2" PAC, HMX
	PAC-5128-450S	PERF. 5.125", PAC, STEEL HMX
	PAC-7026-450ER	PERF. 7.000" PAC, EXTENDED RANGE, HMX
	PAC-7026-450ERS	PERF 7.000" PAC, EXTENDED RANGE, STEEL, HM
	--	CAS-2125-001

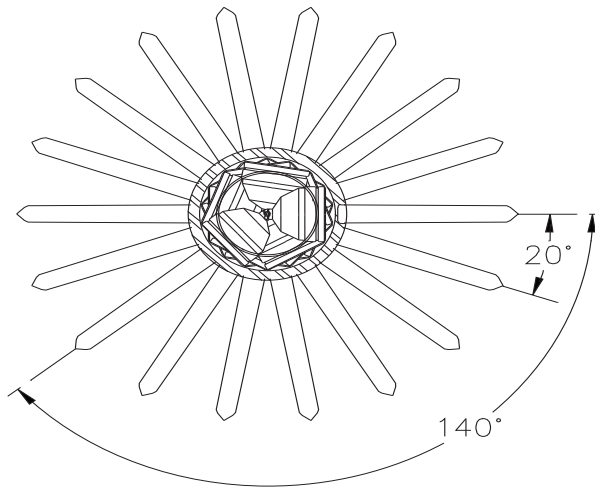
PRODUCT INFORMATION:

5-1/2" O.D. 18 spf, 140°/20° Spiral, Ultra HSD System - Big Hole

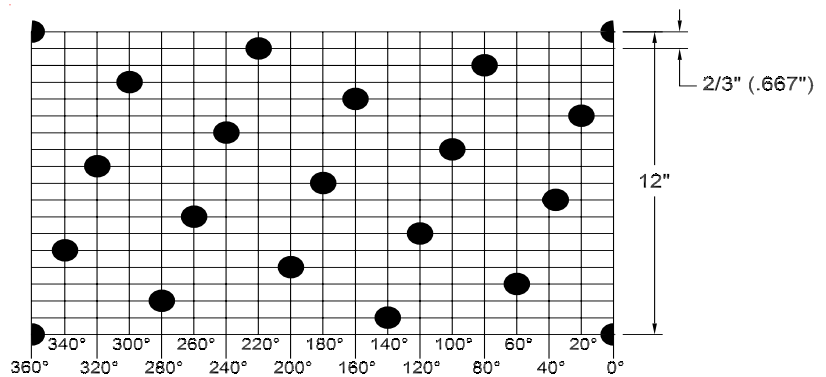
SPECIFICATIONS:

PRESSURE RATING	68.9 Mpa	10,000 psi
TEMPERATURE	UP TO 260°C	UP TO 500°F
TENSILE STRENGTH	62 600 daN	138,000lbs
CARRIER THREAD	5" - 6 ACME	
GUN WEIGHT LOADED	57 kg/m	36 lb/ft

PHASE:



SHOT PLOT:



NOTES:

*Do not partially load gun. If partial loading is required, a blank charge case must be used for each charge hole in the tube strip that is skipped. Charges and ancillary components for higher temperature applications are available by Special Order.*