

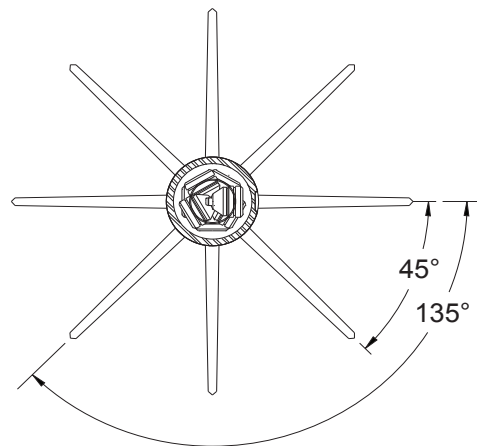
BILL OF MATERIALS:

| ITEM | PART NO. | DESCRIPTION |
|------|-----------------|--|
| 1 | S70-1203-C21A | Shipping Assembly, 7" x 21', 12 spf, 135° Spiral |
| | S70-1203-C15A | Shipping Assembly, 7" x 15', 12 spf, 135° Spiral |
| | S70-1203-C11A | Shipping Assembly, 7" x 11', 12 spf, 135° Spiral |
| | S70-1203-C07A | Shipping Assembly, 7" x 7', 12 spf, 135° Spiral |
| | S70-1203-C04A | Shipping Assembly, 7" x 4', 12 spf, 135° Spiral |
| 2 | TAG-7000-119 | Tube Strip, 21', 12 spf, 135° Spiral |
| | TAG-7000-120 | Tube Strip, 15', 12 spf, 135° Spiral |
| | TAG-7000-121 | Tube Strip, 11', 12 spf, 135° Spiral |
| | TAG-7000-122 | Tube Strip, 7', 12 spf, 135° Spiral |
| | TAG-7000-123 | Tube Strip, 4', 12 spf, 135° Spiral |
| 3 | TAG-7000-216 | Carrier 7" x 21', 12 spf, 135° Spiral |
| | TAG-7000-215 | Carrier 7" x 15', 12 spf, 135° Spiral |
| | TAG-7000-214 | Carrier 7" x 11', 12 spf, 135° Spiral |
| | TAG-7000-213 | Carrier 7" x 7', 12 spf, 135° Spiral |
| | TAG-7000-212 | Carrier 7" x 4', 12 spf, 135° Spiral |
| 4 | TAG-7000-196X | End Plate (1) |
| | TAG-7000-196XP | End Plate w/pin (1) |
| 5 | TAG-7000-081 | Carrier Snap Ring (N-5000-600) (2) |
| 6 | TAG-7000-280L | Top Sub 7" Adapts to TCP or Wireline Systems |
| 7 | TAG-7000-281L | Tandem Sub 7" |
| 8 | TAG-7000-060 | Bull Plug 7" |
| | TAG-7000-060S | Bull Plug 7" w/2-7/8" EUE pin on bottom |
| 9 | TCP-0100-275L | Booster Transfer Kit |
| 10 | DET-0010-001 | Detonating Cord End Cover |
| 11 | OOO-N569-230 | O-Ring, #230, 90 Duro Nitrile - see ref. section |
| | OOO-V569-230 | O-Ring, #230, 90 Duro Viton - see ref. section |
| 12 | OOO-N569-360 | O-Ring, #360, 90 Duro Nitrile - see ref. section |
| | OOO-V569-360 | O-Ring, #360, 90 Duro Viton - see ref. section |
| -- | TAG-7000-CEN | Centralizer Button used on 7' through 21' Guns (not shown) |
| -- | PUR-0600-112 | Rivet, Aluminum Drive use on 7' through 21' Guns (not shown) |
| A | A570010 | Detonating Cord - XHV, 80 gr., RDX - see ref. section |
| | A572010 | Detonating Cord - XHV, 80 gr., HMX - see ref. section |
| B | DET-3050-429 | Bi-Directional Booster |
| C | SDP-4539-310 | Charge, RDX, SDP-HERO HARD ROCK |
| | SDP-4539-410 | Charge, HMX, SDP-HERO HARD ROCK |
| | SDP-4500-411NT3 | Charge, HMX, SDP - NT3 - SUPER HERO™ |
| | SDP-4500-311NT3 | Charge, RDX, SDP - NT3 - SUPER HERO™ |
| | SGH-7039-330 | Charge, RDX, SGH |
| | TAG-4500-411 | Charge, HMX, GH / DP |
| | TAG-4500-311 | Charge, RDX, GH / DP |
| -- | CAS-1795-001 | Blank Charge Case (non-explosive) |

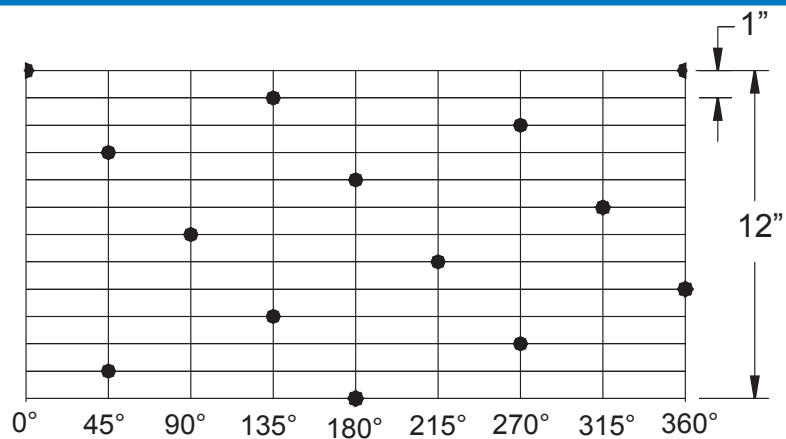
SPECIFICATIONS:

| | | |
|-------------------|-----------------|--------------|
| PRESSURE RATING | 89.6 Mpa | 13,000 psi |
| TEMPERATURE | UP TO 206°C | UP TO 400°F |
| TENSILE STRENGTH | 396 000 daN | 890,000lbs |
| CARRIER THREAD | 6-1/4" - 5 ACME | |
| GUN WEIGHT LOADED | 64.7 kg/m | 43.5 lb/ft |
| TORSIONAL YIELD | 48 500 N•m | 35,800 lb-ft |

PHASE:



SHOT PLOT:



NOTES:

Do not partially load gun. If partial loading is required, a blank charge case must be used for each charge hole in the tube strip that is skipped. Charges and ancillary components for higher temperature applications are available by Special Order.