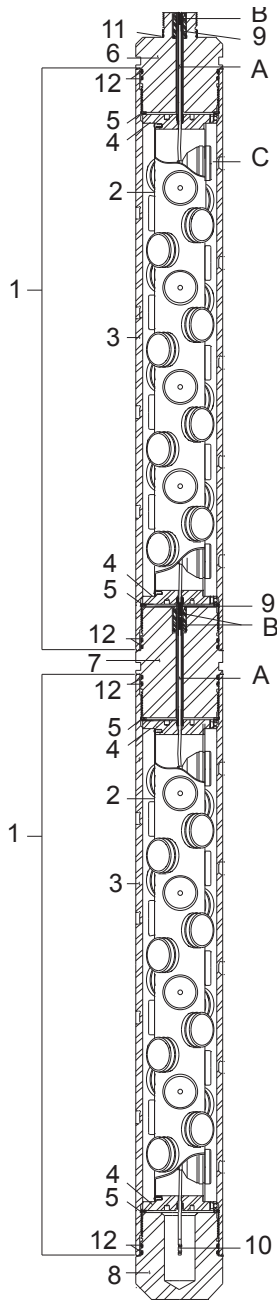




BILL OF MATERIALS:



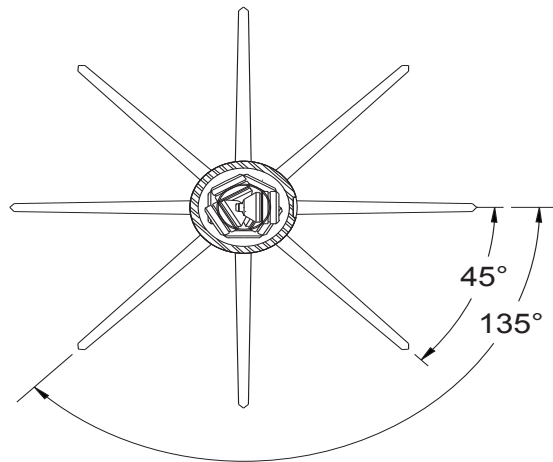
ITEM	PART NO.	DESCRIPTION
1	S70-1235-C21A	Shipping Assembly, 7" x 21', 12 spf, 135° Spiral
	S70-1235-C15A	Shipping Assembly, 7" x 15', 12 spf, 135° Spiral
	S70-1235-C11A	Shipping Assembly, 7" x 11', 12 spf, 135° Spiral
	S70-1235-C07A	Shipping Assembly, 7" x 7', 12 spf, 135° Spiral
	S70-1235-C04A	Shipping Assembly, 7" x 4', 12 spf, 135° Spiral
2	T47-1235-C21A	Tube Strip, 21', 12 spf, 135° Spiral
	T47-1235-C15A	Tube Strip, 15', 12 spf, 135° Spiral
	T47-1235-C11A	Tube Strip, 11', 12 spf, 135° Spiral
	T47-1235-C07A	Tube Strip, 7', 12 spf, 135° Spiral
	T47-1235-C04A	Tube Strip, 4', 12 spf, 135° Spiral
3	TAG-7000-216	Carrier 7" x 21', 12 spf, 135° Spiral
	TAG-7000-215	Carrier 7" x 15', 12 spf, 135° Spiral
	TAG-7000-214	Carrier 7" x 11', 12 spf, 135° Spiral
	TAG-7000-213	Carrier 7" x 7', 12 spf, 135° Spiral
	TAG-7000-212	Carrier 7" x 4', 12 spf, 135° Spiral
4	TAG-7000-196X	End Plate (1)
	TAG-7000-196XP	End Plate w/pin (1)
5	TAG-7000-081	Carrier Snap Ring (N-5000-600) (2)
6	TAG-7000-280L	Top Sub 7" Adapts to TCP or Wireline Systems
7	TAG-7000-281L	Tandem Sub 7"
8	TAG-7000-060	Bull Plug 7"
	TAG-7000-060S	Bull Plug 7" w/2-7/8" EUE pin on bottom
9	TCP-0100-275L	Booster Transfer Kit
10	DET-0010-001	Detonating Cord End Cover
11	OOO-N569-230	O-Ring, #230, 90 Duro Nitrile - see ref. section
	OOO-V569-230	O-Ring, #230, 90 Duro Viton - see ref. section
12	OOO-N569-360	O-Ring, #360, 90 Duro Nitrile - see ref. section
	OOO-V569-360	O-Ring, #360, 90 Duro Viton - see ref. section
A	A570010	Detonating Cord - XHV, 80 gr., RDX - see ref. section
	A572010	Detonating Cord - XHV, 80 gr., HMX - see ref. section
B	DET-3050-429	Bi-Directional Booster
C	TAG-7000-362F	Charge, RDX, BH , (zinc case) Phantom
	TAG-7000-361F	Charge, RDX, BH , (steel case)
--	PUR-0600-099	3/16 Pop Rivet Large Flange (bag of 250)
--	TAG-7000-037	Blank Charge Case (non-explosive)



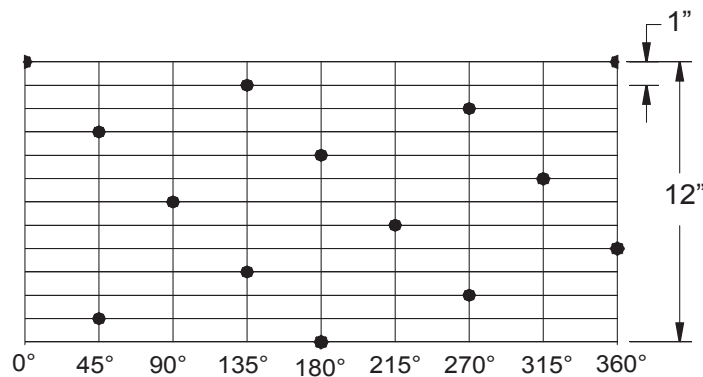
SPECIFICATIONS:

PRESSURE RATING	89.6 Mpa	13,000 psi
TEMPERATURE	UP TO 206°C	UP TO 400°F
TENSILE STRENGTH	396 000 daN	890,000lbs
CARRIER THREAD	6-1/4" - 5 ACME	
GUN WEIGHT LOADED	64.7 kg/m	43.5 lb/ft
TORSIONAL YIELD	48 500 N•m	35,800 lb-ft

PHASE:



SHOT PLOT:



NOTES:

Do not partially load gun. If partial loading is required, a blank charge case must be used for each charge hole in the tube strip that is skipped. Charges and ancillary components for higher temperature applications are available by Special Order.