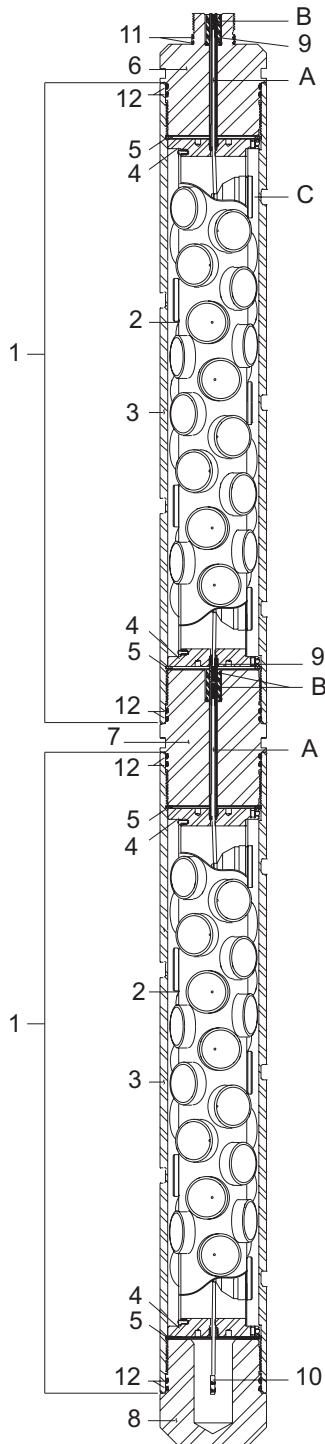


BILL OF MATERIALS:

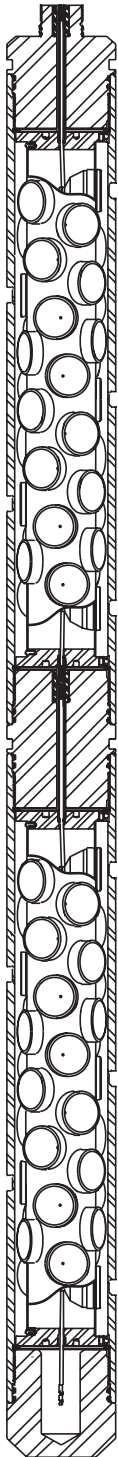


ITEM	PART NO.	DESCRIPTION
1	S70-1827-D21A	Shipping Assembly, 7" x 21', 18 spf, 140° Spiral
	S70-1827-D15A	Shipping Assembly, 7" x 15', 18 spf, 140° Spiral
	S70-1827-D11A	Shipping Assembly, 7" x 11', 18 spf, 140° Spiral
	S70-1827-D07A	Shipping Assembly, 7" x 7', 18 spf, 140° Spiral
	S70-1827-D04A	Shipping Assembly, 7" x 4', 18 spf, 140° Spiral
2	T35-1827-D21WT	Tube Strip, 21', 18 spf, 140° Spiral
	T35-1827-D15WT	Tube Strip, 15', 18 spf, 140° Spiral
	T35-1827-D11WT	Tube Strip, 11', 18 spf, 140° Spiral
	T35-1827-D07WT	Tube Strip, 7', 18 spf, 140° Spiral
	T35-1827-D04WT	Tube Strip, 4', 18 spf, 140° Spiral
3	TAG-7000-714	Carrier 7" x 21', 18 spf, 140° Spiral
	TAG-7000-713	Carrier 7" x 15', 18 spf, 140° Spiral
	TAG-7000-712	Carrier 7" x 11', 18 spf, 140° Spiral
	TAG-7000-711	Carrier 7" x 7', 18 spf, 140° Spiral
	TAG-7000-710	Carrier 7" x 4', 18 spf, 140° Spiral
4	TAG-7000-196X	End Plate (1)
	TAG-7000-196XP	End Plate w/pin (1)
5	TAG-7000-081	Carrier Snap Ring (N-5000-600) (2)
6	TAG-7000-280BB	Top Sub 7" Big Bore
	TAG-7000-280L	Top Sub 7" Adapts to TCP or Wireline Systems
7	TAG-7000-281BB	Tandem Sub 7" Big Bore
	TAG-7000-281L	Tandem Sub 7"
8	TAG-7000-060BB	Bull Plug 7" Big Bore
	TAG-7000-060	Bull Plug 7"
	TAG-7000-060S	Bull Plug 7" w/2-7/8" EUE pin on bottom
9	TCP-0100-275L	Booster Transfer Kit
	TCP-0100-275BB	Booster Transfer Kit - Big Bore
10	DET-0010-001	Detonating Cord End Cover
11	OOO-N569-230	O-Ring, #230, 90 Duro Nitrile - see ref. section
	OOO-V569-230	O-Ring, #230, 90 Duro Viton - see ref. section
12	OOO-N569-360	O-Ring, #360, 90 Duro Nitrile - see ref. section
	OOO-V569-360	O-Ring, #360, 90 Duro Viton - see ref. section
13	TAG-7000-CEN	Centralizer Button, used on 7' through 21' Guns (not shown)
	PUR-0600-112	Rivet, Aluminum Drive, used on 7' through 21' Guns (not shown)
A	A570010	Detonating Cord - XHV, 80 gr., RDX - see ref. section
	A572010	Detonating Cord - XHV, 80 gr., HMX - see ref. section
B	DET-3050-429	Bi-Directional Booster
C	SBH-5528-330	Charge, RDX, SBH
	SBH-5528-430	Charge, RDX, SBH
	PAC-7026-450	Charge, HMX, PAC
	TAG-5250-301ZF	Charge, RDX, BH
--	TAG-5250-075	Blank Charge Case (non-explosive)

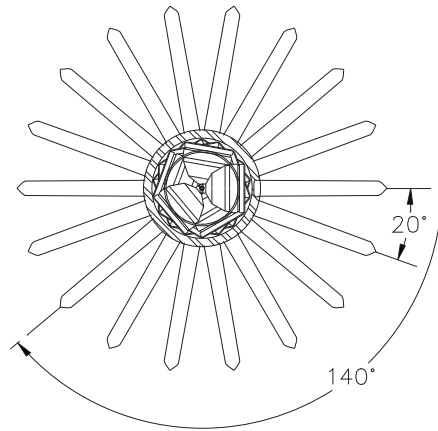
**This product is protected by one or more of the following patents:
5,785,130 & 5,797,464**

SPECIFICATIONS:

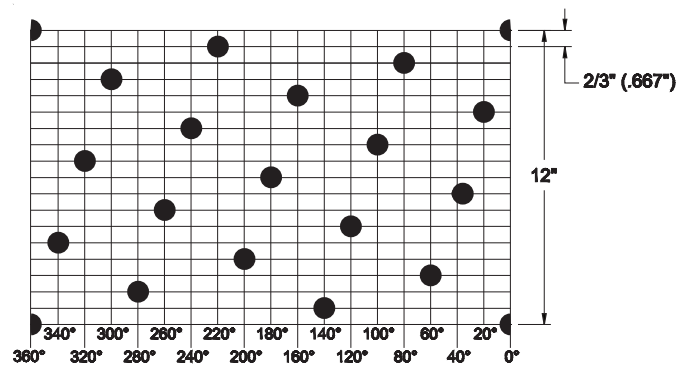
PRESSURE RATING	89.6 Mpa	13,000 psi
TEMPERATURE	UP TO 206°C	UP TO 400°F
TENSILE STRENGTH	396 000 daN	890,000lbs
CARRIER THREAD	6-1/4" - 5 ACME	
GUN WEIGHT LOADED	64.7 kg/m	43.5 lb/ft
TORSIONAL YIELD	48 500 N·m	35,800 lb-ft



PHASE:



SHOT PLOT:



NOTES:

Do not partially load gun. If partial loading is required, a blank charge case must be used for each charge hole in the tube strip that is skipped. Charges and ancillary components for higher temperature applications are available by Special Order.