

DESCRIPTION

The Victory Firing System was developed to provide a redundant firing system for detonating perforating guns and other auxillary explosives. The firing system is designed to receive multiple firing head configurations (electrical or mechanical systems) to operate the system. The firing system functions by utilizing the shockwave of an initiator to set off a secondary initiator through a series of channels.

FEATURES AND BENEFITS

- Redundant firing capabilities.
- Multi-Purpose downhole firing system. (e.g. Perforating Guns, etc.)
- Can be used inconjunction with multiple auxillary systems (e.g. Time Delay, PX-1 system, D2DI, etc.)
- Redundant system for Mechanical and Electrical firing heads.
- Does not require detonating cord to operate.

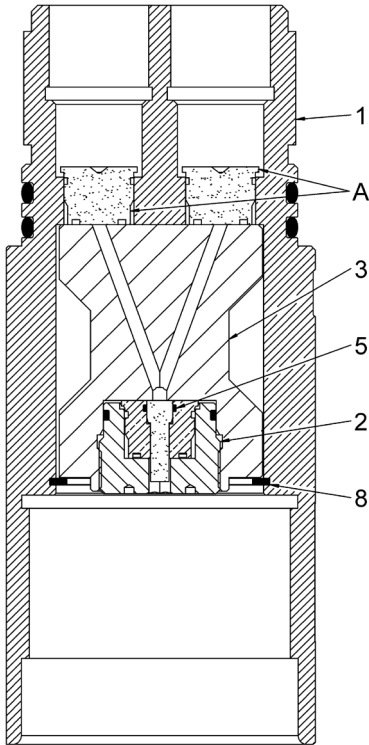
SPECIFICATIONS

TC-005-4500-000	
O.D.	4.5" (11.4 cm)
Make-Up Length	7.25" (18.4 cm)
Max. Temperature ¹	250°F (121°C)
Max. Hydrostatic	20,000 psi (138 Mpa)
Tensile Strength (@72°F, 22.2°C)	315,000 lb. (140 000 daN)
Top Connection	4.5" TAG
Bottom Connection	4.5" TAG

¹The maximum temperature can be increased to 400°F (204°C) by substituting the 90 durometer Nitrile O-Rings with 90 Durometer Viton O-Rings. Refer to the Time vs. Temperature chart for explosives to confirm any explosives requirements.

Note: Current system is to be run with 4-1/2" guns and bigger.

BOM and Schematic



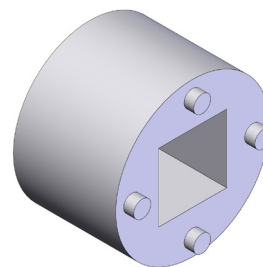
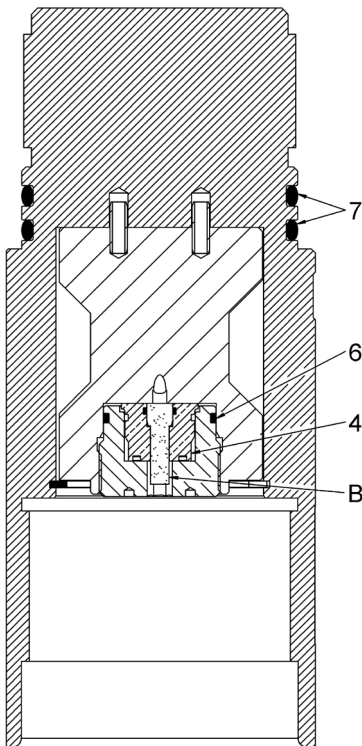
ITEM	PART NUMBER	QTY	DESCRIPTION
--	TC-005-4500-000	--	4.5" Firing System, Assembly
1	TC-005-4500-002	1	Detonator Body
2	TC-005-4500-003	1	Initiator Retaining Nut
3*	TC-005-4500-004	1	Funneling Block with Roll Pins
-	TC-005-4500-001	1	Funneling Block
-	PF-130-0250-075	2	Roll Pin, 1/4" X 3/4"
4*	TC-040-0000-400	1	Housing Detonator, Slim Line Style
5*	OOO-N569-012	1	O-Ring, Nitrile
6*	OOO-N569-127	1	O-Ring, Nitrile
7*	OOO-N569-342	2	O-Ring, Nitrile
8*	N5000-300	1	Snap Rings, TRUARC®
A	51-6956-3	2	CLCP Initiator (Explosive Component)
B	2-350130-2	1	Slimline Detonator (Explosive Component)
-	SGS-0100-011	--	Retaining Nut Wrench (Sold Separately)
-	TC-005-4500-099	--	VFS, LT Redress Kit Nitrile
-	TC-005-4500-299	--	VFS, HT Redress Kit Viton
-	MAN-TC-005-4500-VFS	--	VFS Procedure Manual

*Denotes items in Redress Kit

High Temperature Kit contains Viton O-Rings

Explosives Sold Separately

Item A can be replaced with HNS style detonator (51-6985-3) for higher temperature rating.



SGS-0100-011