

DESCRIPTION

The Victory Firing System W/ Det. Cord was developed to provide a redundant firing system for detonating perforating guns and other auxiliary explosives. The firing system is designed to receive multiple firing head configurations (electrical or mechanical systems) to operate the system. The firing system functions by utilizing the shockwave of a detonator to set off an explosive train consisting of Bi-Directional Boosters and Detonating Cord which sets off a perforating gun

FEATURES AND BENEFITS

- Redundant firing capabilities.
- Multi-Purpose downhole firing system. (e.g. Perforating Guns, etc.)
- Can be used inconjunction with multiple auxillary systems (e.g. Time Delay, PX-1 system, D2DI, etc.)
- Redundant system for Mechanical and Electrical firing heads.

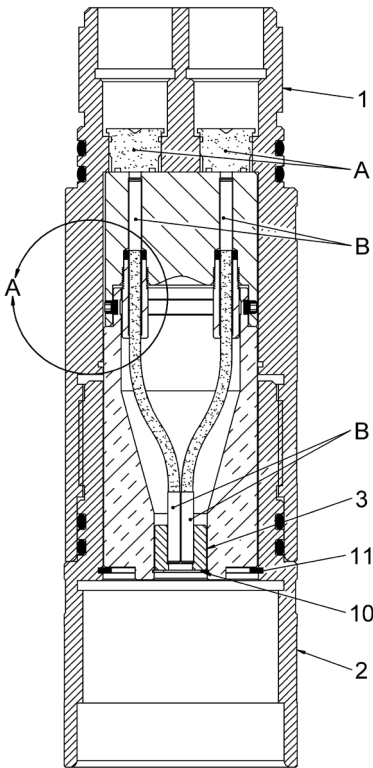
SPECIFICATIONS

TC-005-4500-100	
O.D.	4.5" (11.4 cm)
Make-Up Length	11.25" (28.6 cm)
Max. Temperature ¹	250°F (121°C)
Max. Hydrostatic	20,000 psi (138 Mpa)
Tensile Strength (@72°F, 22.2°C)	315 000 lb. (140,000 daN)
Top Connection	4.5" TAG
Bottom Connection	4.5" TAG

¹The maximum temperature can be increased to 400°F (204°C) by substituting the 90 durometer Nitrile O-Rings with 90 Durometer Viton O-Rings. Refer to the Time vs. Temperature chart for explosives to confirm any explosives requirements.

Note: Current system is to be run with 4-1/2" guns and bigger.

BOM and Schematic



ITEM	PART NUMBER	QTY	DESCRIPTION
--	TC-005-4500-100	--	4.5" Firing System, Det. Cord Assembly
1	TC-005-4500-002	1	Detonator Body
2	TC-005-4500-102	1	Detonator Body Extension
3	TC-005-4500-103	1	Detonating Cord Insert
4*	TC-005-4500-104	1	Upper Det. Cord Block with Roll Pins
-	TC-005-4500-101	1	Upper Det. Cord Block
-	PF-130-0250-075	2	Roll Pin, 1/4" X 3/4"
5*	TC-005-4500-105	1	Lower Det. Cord Block
6*	TCP-0100-247	1	Retainer, TCP Booster
7*	TC-001-0003-000	1	Tubing, Red Grommet
8*	PF-001-025F-025	2	Set Screw, 1/4" - 28 X 1/4"
9*	OOO-N569-342	2	O-Ring, Viton
10*	N5000-102	1	Snap Rings, TRUARC®
11*	N5000-300	1	Snap Rings, TRUARC®
A	51-6956-3	2	CLCP Initiator (Explosive Component)
B	--	5	Bi-Directional Booster (Explosive Component)
C	--	**	Detonating Cord, 80 grain (Explosive Component)
-	TC-005-4500-099D	--	LT Redress Kit Nitrile, Det. Assembly
-	TC-005-4500-199D	--	HT Redress Kit Viton, Det. Assembly
-	MAN-TC-005-4500-VFSD	--	VFSD Procedure Manual

*Denotes items in Redress Kits
 **12.5" of 80 grain Detonating Cord.

High Temperature Kit contains Viton O-Rings

Explosives Sold Separately

Item A can be replaced with HNS style detonator (51-6985-3) for higher temperature rating.

