

DESCRIPTION

The Mechanical Safety Impact Firing Head is designed to be the primary firing system on all Wide Nose Drop Bar TCP operations. Designed to meet API RP-67 safety recommendations, the Mechanical Safety Impact Firing Heads require both the drop bar action as well as a minimum hydrostatic to fire. Two models are utilized to cover the pressure ranges normally anticipated in TCP operations. The Low Pressure (LP) version requires 300 psi (minimum hydrostatic pressure) to operate. When the Wide Nose Drop Bar strikes the firing head, the impact breaks the coiled pin, which secures the Release Rod and pushes it down. This movement releases the firing pin driving it into the percussion detonator and fires the gun(s). This Firing Head must be run in conjunction with an Impact Firing Head No-Go or a Tubular Collar No-Go to meet safety requirements. Refer to catalog page TC-170-0.3 for details.

FEATURES AND BENEFITS

- Electrical currents, natural or man-made cannot detonate the Safety Impact Firing Heads.
- Ideal for all Wide Nose Drop Bar Firing operations where a minimum of 300 psi hydrostatic exists.
- Ideal for heavy mud.
- Operates with a Wide Nose Drop Bar.

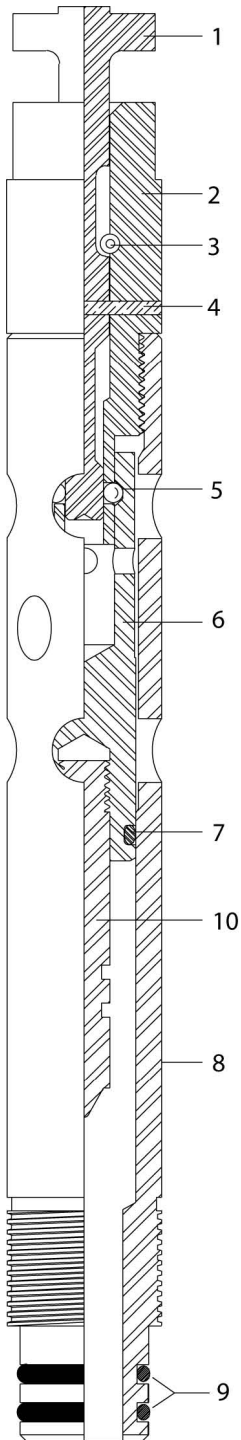
SPECIFICATIONS

Standard O.D.	1.69"	43 mm
Make-up Length	11.00"	279 mm
Max. Temperature ¹	250°F (121°C)	
Max. Hydrostatic	8,000 psi	55.2 MPa
Min. Hydrostatic	300 psi	2.1 MPa

¹The maximum temperature can be increased to 400°F (204°C) by substituting the 90 durometer Nitrile O-rings with 90 durometer Viton O-rings. Refer to the Time vs Temperature chart for Explosives to confirm any explosives requirements.

Note: This tool should be used with Wide Nose Drop Bars.

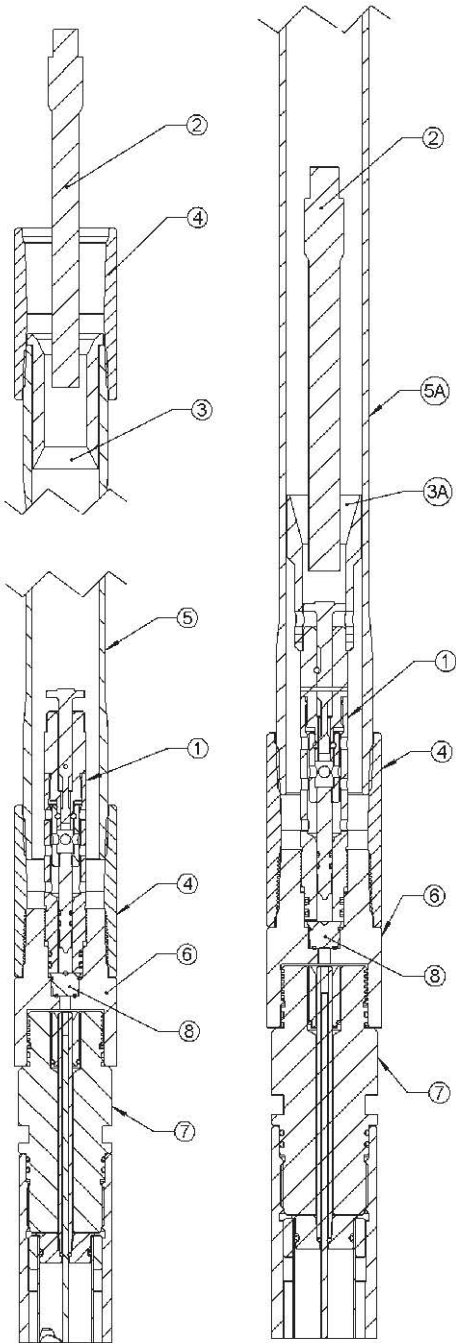
BOM and Schematic



ITEM	PART NUMBER	QTY	DESCRIPTION
--	TC-012-1687-000	--	Mechanical Safety Impact FH (LP) Heavy Duty
1	TC-012-0001-000	1	Release Rod, S.I.
2	TC-012-0002-000	1	Body, Release Rod, S.I.
3*	PF-130-0188-125	1	Roll Pin
4*	PF-120-0188-150H	1	Spirol®, Coiled Pin
5*	ST-040-0188-000	4	Retaining Balls
6	TC-012-0004-000	1	Ball Retainer Piston (L.P.), S.I.
7*	OOO-N569-210	1	O-Ring
8	TC-012-0007-000	1	Body, (L.P.) Heavy Duty S.I.
9*	OOO-N569-214	2	O-Ring
10*	TC-012-0005-000	1	Firing Pin, C.P. Detonator
--	TC-012-1500-099P	--	Re-Dress Kit, Safety Impact Firing Head (L.P.)
--	TC-012-1500-399P	--	Re-Dress Kit, Safety Impact Firing Head (L.P.) (H.T.)
--	MAN-TC-012-1687-000	--	Assembly Manual

* Denotes items in the Redress Kits

Typical Hook-up, BOM and Schematic



ITEM	PART NO.	DESCRIPTION
1	TC-012-1687-000	Safety Impact Assy. (H.D.) (L.P.)
2	TC-136-1250-006	Drop Bar Assy. 6' (Sectional)
	TC-136-1250-010	Drop Bar Assy. 10' (Sectional)
	TC-138-1250-008	Drop Bar 8' (Solid)
	TC-138-1250-010	Drop Bar 10' (Solid)
3	TC-170-2375-000	Tubular No-Go for 2-3/8
	TC-170-2875-000	Tubular No-Go for 2-7/8
	TC-170-3500-000	Tubular No-Go for 3-1/2
3A	TC-010-0022-110	Impact No-Go for 2-3/8 (1.39" I.D.)
	TC-010-0029-110	Impact No-Go for 2-7/8 (1.39" I.D.)
	TC-010-0030-110	Impact No-Go for 3-1/2 (1.39" I.D.)
4	CC-001-2375-000	Collar for 2-3/8 EUE
	CC-001-2875-000	Collar for 2-7/8 EUE
	CC-001-3500-000	Collar for 3-1/2 EUE
5	CC-101-2347-002	Pup Joint 2-3/8 EUE (2' length)
	CC-101-2865-002	Pup Joint 2-7/8 EUE (2' length)
	CC-101-3593-002	Pup Joint 3-1/2 EUE (2' length)
5A	--	Tubing
6	TC-005-0001-000	Detonator Body with 2-3/8 EUE Pin, 3-1/8" O.D.
	TC-005-0003-000	Detonator Body with 2-7/8 EUE Pin, 3-11/16" O.D.
	TC-005-0004-000	Detonator Body with 3-1/2 EUE Pin, 4-1/2" O.D.
7	--	Owen Top Gun Sub
8	Reference	Percussion Detonator