

Description

The purpose of the HTD-BLAST™ System is to allow the energy from a perforating gun to ignite a Time Delay System on the adjacent gun. The system is specifically designed to be used in coiled tubing applications to enable the operator to perforate several zones during a single run by moving the gun string to the next interval during the time delay burn sequence. The perforating guns can be initiated from the top or bottom of the gun. Once initiated, all the guns will fire in sequential order.

If a longer time period is required between firing sequences, this can be accomplished with the use of the Extended Time Delay Hardware that is compatible with this system.

Protected under U.S. Patent Number 8,079,296

Features and Benefits

- Initiates Time Delay burn using the output energy from of a perforating gun.
- Allows the perforating of multiple intervals during a single coiled tubing or conventional tubing run in the well.
- Can be used with multiple Time Delay Systems or gun sizes.
- Only one firing head is required on top or on bottom of the gun string.

Specifications

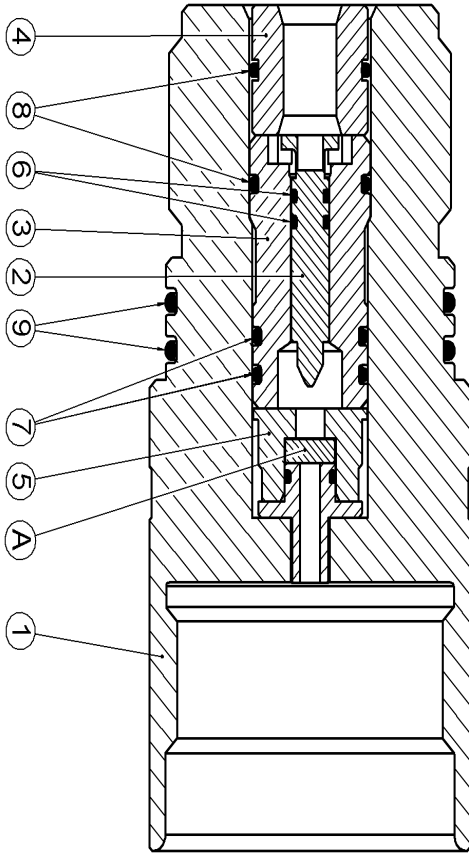
O.D.	2-3/4"	69.9 MM	2-7/8"	73.0 MM
Make-up Length	4.13"	104.8 mm	4.13"	104.8 mm
Bottom Connection	2-3/4" & 2-7/8" Top Sub		2-3/4" & 2-7/8" Top Sub	
Max. Temperature	250°F (121°C)		250°F (121°C)	
Tensile	242,000lbf	107 650 daN	307,000lbf	136 500 daN
Max. Pressure	10,000psi	68.9 MPa	10,000psi	68.9 MPa

O.D.	3-1/8"	79.3 MM	3-3/8"	85.6 MM
Make-up Length	3.62"	91.9 mm	3.62"	91.9 mm
Bottom Connection	3-1/8" & 3-3/8" Top Sub		3-1/8" & 3-3/8" Top Sub	
Max. Temperature	250°F (121°C)		250°F (121°C)	
Tensile	163,000lbf	72 500 daN	273,000lbf	121 500 daN
Max. Pressure	10,000psi	68.9 MPa	10,000psi	68.9 MPa

O.D.	4-1/2"	114 MM
Make-up Length	3.95"	100.3 mm
Bottom Connection	4.5" - 7" Heavy Duty Top Sub	
Max. Temperature	250°F (121°C)	
Tensile	415,000lbf	184 600 daN
Max. Pressure	10,000psi	68.9 MPa

The maximum temperature can be increased to 450°F (230°C) by substituting the 90 durometer Nitrile O-Rings with 90 durometer Viton O-Rings. Refer to the Time vs. Temperature chart for Explosives to confirm any explosives requirements.

Note: The maximum pressure rating is established as a safety feature in the event of a seal failure.



ITEM	PART NUMBER	QTY	DESCRIPTION
	TC-044-2750-000	A/R	ASSEMBLY, 2-3/4 TAG CT TRANSFER
	TC-044-2875-000	A/R	ASSEMBLY, 2-7/8 TAG CT TRANSFER
	TC-044-3125-000	A/R	ASSEMBLY, 3-1/8 TAG CT TRANSFER
	TC-044-3375-000	A/R	ASSEMBLY, 3-3/8 TAG CT TRANSFER
	TC-044-4000-000	A/R	ASSEMBLY, 4" TAG CT TRANSFER
	TC-044-4500-000	A/R	ASSEMBLY, 4.5" TAG CT TRANSFER, HEAVY DUTY
1	TC-044-0001-275	A/R	BODY, 2-3/4 TAG, CT TRANSFER
	TC-044-0001-287	A/R	BODY, 2-7/8 TAG, CT TRANSFER
	TC-044-0001-313	A/R	BODY, 3-1/8 TAG, CT TRANSFER
	TC-044-0001-338	A/R	BODY, 3-3/8 TAG, CT TRANSFER
	TC-044-0001-400	A/R	BODY, 4" TAG, CT TRANSFER
	TC-044-0002-450	A/R	BODY, 4" TAG, CT TRANSFER
2**	TC-044-0003-000	1	FIRING PIN
3**	TC-044-0004-000	1	HOUSING, FIRING PIN
4**	TC-044-0005-000	1	ALIGNMENT INSERT
5	TC-043-0003-000	1	IGNITER SUPPORT (Comes w/TD Hardware)
6**	OOO-N569-010	2	O-RING, N-90
7**	OOO-N569-119	2	O-RING, N-90
8**	OOO-N569-120	2	O-RING, N-90
9	OOO-N569-227	2	O-RING, N-90 (2.750 Gun)
	OOO-N569-228	2	O-RING, N-90 (2.875 Gun)
	OOO-N569-230	2	O-RING, N-90 (3.125 Gun)
	OOO-N569-231	2	O-RING, N-90 (3.375 Gun)
	OOO-N569-236	2	O-RING, N-90 (4.000 Gun)
	OOO-N569-342	2	O-RING, N-90 (4.500 Gun)
A	2-350220-1	1	Primer, (sold separately)
	2-350620-1	1	TDI XL (sold separately)
--	TC-044-3125-099	--	REDRESS KIT FOR CT TRANSFER (all assemblies)
	TC-044-3125-099XL		REDRESS KIT FOR CT TRANSFER (all assemblies), TDI XL
--	TC-044-3125-399	--	REDRESS KIT FOR HT, CT TRANSFER
	TC-044-3125-399XL		REDRESS KIT FOR HT, CT TRANSFER, TDI XL
--	TC-044-0010-000	--	O-Ring Installation Tool (sold separately)
--	MAN-TC-044	--	MANUAL, CT TIME DELAY TRANSFER SYSTEM

** Denotes parts that are in the redress kit.

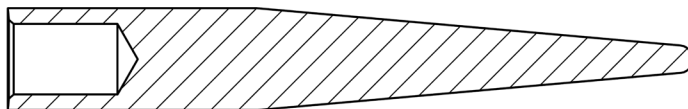
TC-044-3125-399 contains Viton O-rings

Note: Explosive components are sold separately

These assemblies and redress kits do not include a Igniter Support Assembly.

(TC-043-0003-000) comes with the 6-Minute Fuse Assemblies (TC-043-2750/3125/4500-000) and their redress kits.

Item 5 is not required if using the 2-350620-1 TDI XL.



TC-044-0010-000