

**Description**

The Owen Bar Activated Vent was developed to be the primary underbalance valve in drop bar TCP operations. The tool is designed to operate off annulus hydrostatic pressure and requires a minimum of 500 psi for activation. It operates independently from tubing hydrostatic pressure. The tubing can be completely dry.

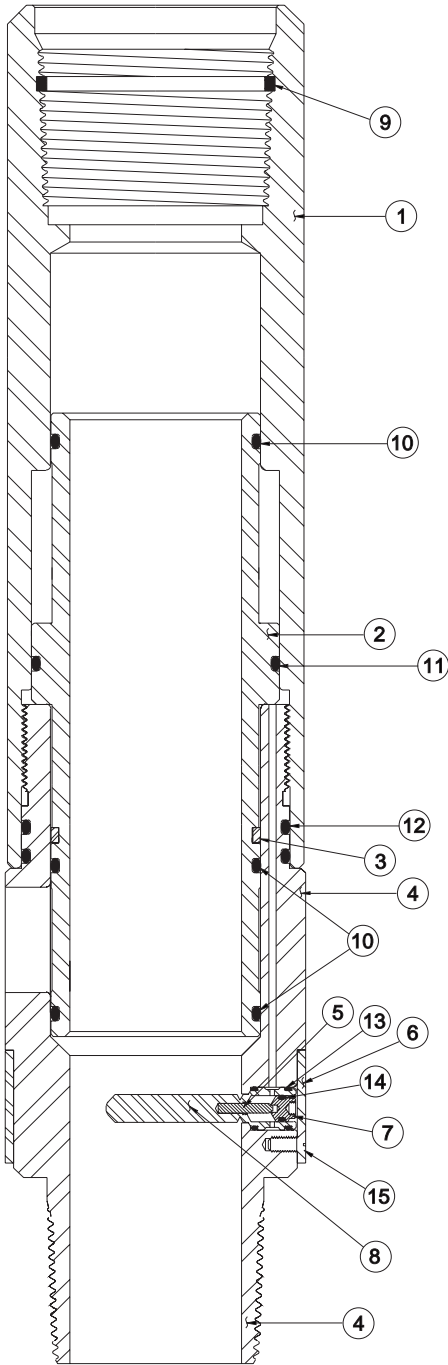
**Features and Benefits**

- Bar Activated Vent can be operated with dry tubing
- Does not reduce drop bar velocity
- Can be run with any packer
- Once vent opens, it is locked in place

**Specifications**

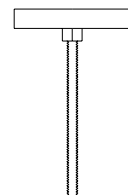
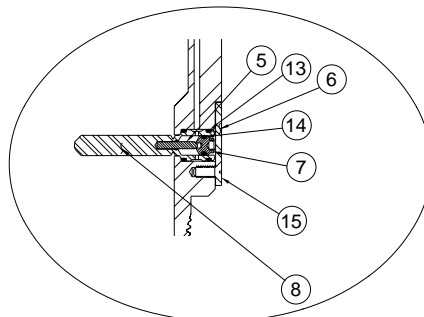
Item	TC-070-2375-400		TC-070-2375-000	
	O.D.	3.13 in	79 mm	3.68 in
I.D.	1.50 in	38 mm	2.00 in	51 mm
Thread Connection	2-3/8 in EUE		2-3/8 in EUE	
Made-up Length	16.0 in	406 mm	16.0 in	406 mm
Max. Hydrostatic	20,000 psi	137.9 MPa	20,000 psi	137.9 MPa
Max Differential	10,000 psi	68.9 MPa	10,000 psi	68.9 MPa
Min. Hydrostatic	500 psi	3.5 MPa	500 psi	3.5 MPa
Tensile	>P-110			

Item	TC-070-2875-000	
O.D.	3.93 in	100 mm
I.D.	2.25 in	57 mm
Thread Connection	2-7/8 in EUE	
Made-up Length	16.0 in	406 mm
Max. Hydrostatic	20,000 psi	137.9 MPa
Max Differential	10,000 psi	68.9 MPa
Min. Hydrostatic	500 psi	3.5 MPa
Tensile	>P-110	

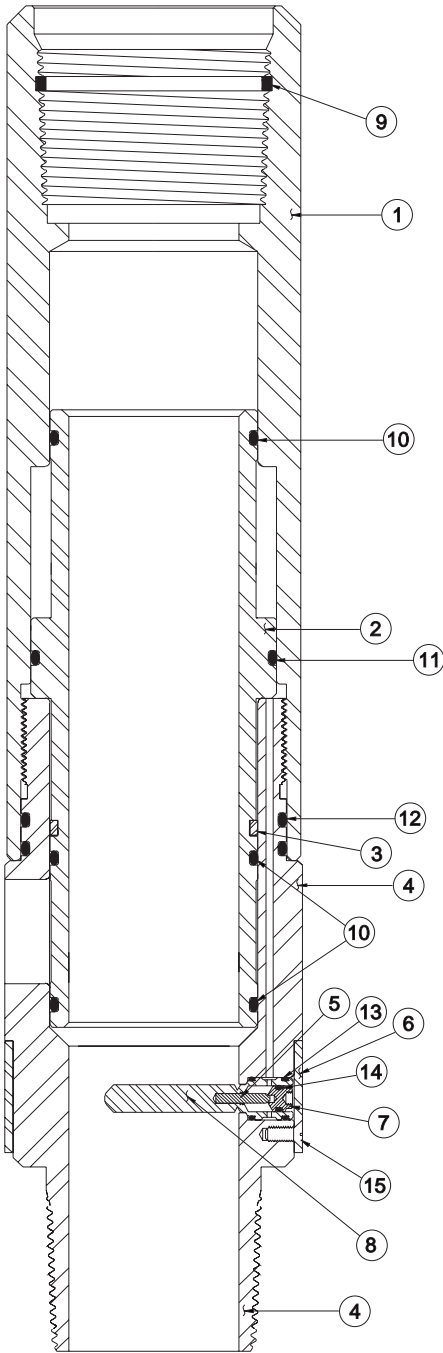


Item	Part No.	Qty	Description	Old Part No.
--	TC-070-2375-000	--	Bar Activated Vent Assy. 2.00" I.D.	TCP-0107-000
1	TC-070-0001-000	1	Housing, 2-3/8" Bar Vent	TCP-0107-003
2	TC-070-0002-000	1	Sleeve, 2-3/8" Bar Vent	TCP-0107-004
3	TC-070-0003-000	1	C-Ring, 2-3/8" Bar Vent	TCP-0107-009
4	TC-070-0000-000	1	Coupling, 2-3/8" Bar Vent	TCP-0107-002
5	TC-070-0007-000	1	Pin - Break Plug	TCP-0107-008
6	TC-070-0004-000	1	Sleeve Retainer, 2-3/8" Bar Vent	TCP-0107-007
7	TC-070-0006-000	1	Piston - Break Plug	TCP-0107-006
8	TC-070-0005-000	1	Break Plug	TCP-0107-014
9	MI-305-2375-000	1	ABC Seal Ring - 2-3/8"	TCP-0100-160
10	OOO-N569-228	3	O-Ring, Nitrile - 2.00" I.D.	--
11	OOO-N569-232	1	O-Ring, Nitrile - 2.00" I.D.	--
12	OOO-N569-234	2	O-Ring, Nitrile - 2.00" I.D.	--
13	OOO-N569-013	2	O-Ring, Nitrile	--
14	OOO-N569-009	1	O-Ring, Nitrile	--
15	PF-031-019F-038	2	Screw 10-32	PUR-0515-020
--	TC-070-2375-099	--	Redress Kit, 2-3/8" Bar Vent	TCP-0107-028
--	TC-070-2375-199	--	Redress Kit High Temp 2-3/8" Bar Vent	TCP-0107-029
--	MAN-TC-070	--	Operating Manual, Bar Vent	MAN-0107-GEN

Item	Part No.	Qty	Description	Old Part No.
--	TC-070-2375-099	--	Redress Kit, 2-3/8" Bar Vent	TCP-0107-028
3	TC-070-0003-000	1	C-Ring, 2-3/8" Bar Vent	TCP-0107-009
5	TC-070-0007-000	1	Pin - Break Plug	TCP-0107-008
7	TC-070-0006-000	1	Piston - Break Plug	TCP-0107-006
8	TC-070-0005-000	1	Break Plug	TCP-0107-014
9	MI-305-2375-000	1	ABC Seal Ring - 2-3/8"	TCP-0100-160
10	OOO-N569-228	3	O-Ring, Nitrile - 2.00" I.D.	--
11	OOO-N569-232	1	O-Ring, Nitrile - 2.00" I.D.	--
12	OOO-N569-234	2	O-Ring, Nitrile - 2.00" I.D.	--
13	OOO-N569-013	2	O-Ring, Nitrile	--
14	OOO-N569-009	1	O-Ring, Nitrile	--
15	PF-031-019F-038	2	Screw 10-32	PUR-0515-020

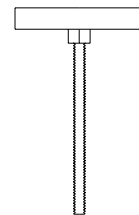
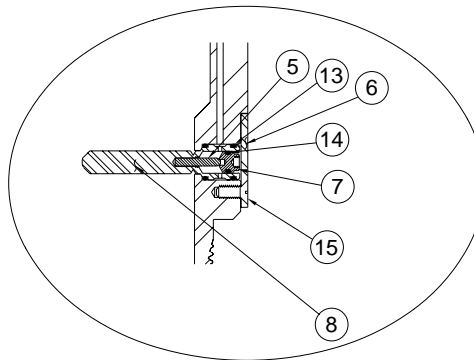


\*T-wrench for Bar Vent Piston  
TC-070-0013-000

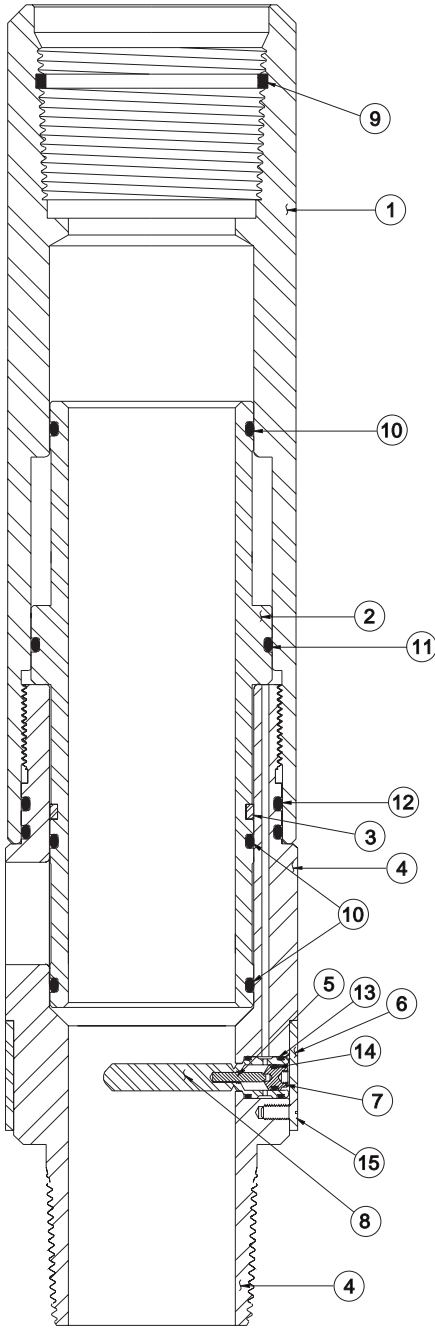


Item	Part No.	Qty	Description	Old Part No.
--	TC-070-2375-400	--	Bar Activated Vent Assy;1-1/2 I.D.	TCP-0105-000
1	TC-070-0001-200	1	Housing, 2-3/8" Bar Vent	TCP-0105-003
2	TC-070-0002-200	1	Sleeve, 2-3/8" Bar Vent	TCP-0105-004
3	TC-070-0003-200	1	C-Ring, 2-3/8" Bar Vent	TCP-0105-009
4	TC-070-0000-200	1	Coupling, 2-3/8" Bar Vent	TCP-0105-002
5	TC-070-0007-000	1	Pin - Break Plug	TCP-0107-008
6	TC-070-0004-200	1	Sleeve Retainer, 2-3/8" Bar Vent	TCP-0105-007
7	TC-070-0006-000	1	Piston - Break Plug	TCP-0107-006
8	TC-070-0005-200	1	Break Plug	TCP-0105-014
9	MI-305-2375-000	1	ABC Seal Ring - 2-3/8"	TCP-0100-160
10	OOO-N569-224	3	O-Ring, Nitrile	OOO-N569-224
11	OOO-N569-228	1	O-Ring, Nitrile	OOO-N569-228
12	OOO-N569-230	2	O-Ring, Nitrile	OOO-N569-230
13	OOO-N569-013	2	O-Ring, Nitrile	OOO-N569-013
14	OOO-N569-009	1	O-Ring, Nitrile	OOO-N569-009
15	PF-031-019F-038	2	Screw 10-32	PUR-0515-020
--	TC-070-2375-499	--	Redress Kit, 2-3/8" Bar Vent	TCP-0105-028
--	TC-070-2375-599	--	Redress Kit High Temp - 2-3/8" Bar Vent	TCP-0105-029
	MAN-TC-070		Operating Manual, Bar Vent	MAN-0107-GEN

Item	Part No.	Qty	Description	Old Part No.
--	TC-070-2375-499	--	Redress Kit, 2-3/8" Bar Vent	TCP-0105-028
3	TC-070-0003-200	1	C-Ring, 2-3/8" Bar Vent	TCP-0105-009
5	TC-070-0007-000	1	Pin - Break Plug	TCP-0107-008
7	TC-070-0006-000	1	Piston - Break Plug	TCP-0107-006
8	TC-070-0005-200	1	Break Plug	TCP-0105-014
9	MI-305-2375-000	1	ABC Seal Ring - 2-3/8"	TCP-0100-160
10	OOO-N569-224	3	O-Ring, Nitrile	OOO-N569-224
11	OOO-N569-228	1	O-Ring, Nitrile	OOO-N569-228
12	OOO-N569-230	2	O-Ring, Nitrile	OOO-N569-230
13	OOO-N569-013	2	O-Ring, Nitrile	OOO-N569-013
14	OOO-N569-009	1	O-Ring, Nitrile	OOO-N569-009
15	PF-031-019F-038	2	Screw 10-32	PUR-0515-020

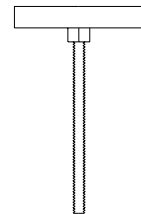
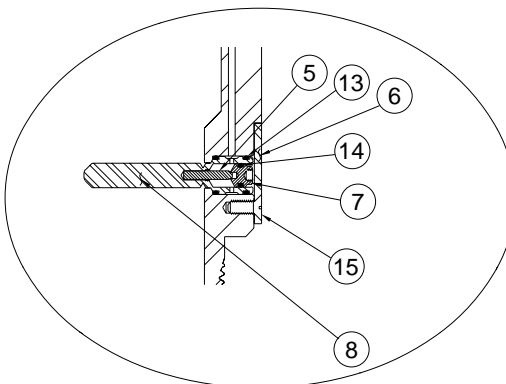


TWrench for Bar Vent Piston  
TC-070-0013-000



Item	Part No.	Qty	Description	Old Part No.
--	TC-070-2875-000	--	Bar Activated Vent Assy; 2.25" I. D.	TCP-0107-100
1	TC-070-0009-000	1	Housing, 2-7/8" Bar Vent	TCP-0107-103
2	TC-070-0010-000	1	Sleeve, 2-7/8" Bar Vent	TCP-0107-104
3	TC-070-0011-000	1	C-Ring, 2-7/8" Bar Vent	TCP-0107-109
4	TC-070-0008-000	1	Coupling, 2-7/8" Bar Vent	TCP-0107-102
5	TC-070-0007-000	1	Pin - Break Plug	TCP-0107-008
6	TC-070-0012-000	1	Sleeve Retainer, 2-7/8" Bar Vent	TCP-0107-107
7	TC-070-0006-000	1	Piston - Break Plug	TCP-0107-006
8	TC-070-0005-000	1	Break Plug	TCP-0107-014
9	MI-305-2875-000	1	ABC Seal Ring - 2-7/8"	TCP-0100-161
10	OOO-N569-230	3	O-Ring, Nitrile	--
11	OOO-N569-234	1	O-Ring, Nitrile	--
12	OOO-N569-236	2	O-Ring, Nitrile	--
13	OOO-N569-013	2	O-Ring, Nitrile	--
14	OOO-N569-009	1	O-Ring, Nitrile	--
15	PF-031-019F-038	2	Screw 10-32	PUR-0515-020
--	TC-070-2875-099	--	Redress Kit, 2-7/8" Bar Vent	TCP-0107-128
--	TC-070-2875-199	--	Redress Kit High Temp - 2-7/8" Bar Vent	TCP-0107-129
	MAN-TC-070		Operating Manual, Bar Vent	MAN-0107-GEN

Item	Part No.	Qty	Description	Old Part No.
--	TC-070-2875-099	--	Redress Kit, 2-7/8" Bar Vent	TCP-0107-128
3	TC-070-0011-000	1	C-Ring, 2-7/8" Bar Vent	TCP-0107-109
5	TC-070-0007-000	1	Pin - Break Plug	TCP-0107-008
7	TC-070-0006-000	1	Piston - Break Plug	TCP-0107-006
8	TC-070-0005-000	1	Break Plug	TCP-0107-014
9	MI-305-2875-000	1	ABC Seal Ring - 2-7/8"	TCP-0100-161
10	OOO-N569-230	3	O-Ring, Nitrile	--
11	OOO-N569-234	1	O-Ring, Nitrile	--
12	OOO-N569-236	2	O-Ring, Nitrile	--
13	OOO-N569-013	2	O-Ring, Nitrile	--
14	OOO-N569-009	1	O-Ring, Nitrile	--
15	PF-031-019F-038	2	Screw 10-32	PUR-0515-020



T Wrench for Bar Vent Piston  
TC-070-0013-000