



PRODUCT INFORMATION:



DESCRIPTION:

The Fill/Flow Sub is a ported device that allows the production tubing/perforating string to fill while running, as well as acting as a flow passage for reservoir fluids to enter the tubing during production. The Fill/Flow Sub features a thin glass disk which keeps debris from settling on top of the Firing Head which may affect operation of the Firing Head.

The Glass Disk is not sealed and does not hold any differential pressure.

ADVANTAGES:

- Simple design is easy to service and redress
- Large ports give greater flow area than the tubing bore

SPECIFICATIONS:

	TC-100-2375-000		TC-100-2875-000		TC-100-3500-000	
MAXIMUM OD	3.060 in	79.5 mm	3.688 in	93.6 mm	4.500 in	114.3 mm
MINIMUM ID	2.000 in	50.8 mm	2.441 in	62.0 mm	3.000 in	76.2 mm
FLOW AREA	4.9 in ²	31.6 cm ²	4.9 in ²	31.6 cm ²	7.1 in ²	45.5 cm ²
NUMBER OF PORTS	4		4		4	
CONNECTION	2-3/8 in (60.3 mm) EUE		2-7/8 in (73 mm) EUE		3-1/2 in (89 mm) EUE	
REDRESS KIT	TC-100-2375-099		TC-100-2875-099		TC-100-3500-099	
TENSILE LOAD	122,000 lbs	54 266 daN	219,000 lbs	97 411 daN	284,920 lbs	126 732 daN

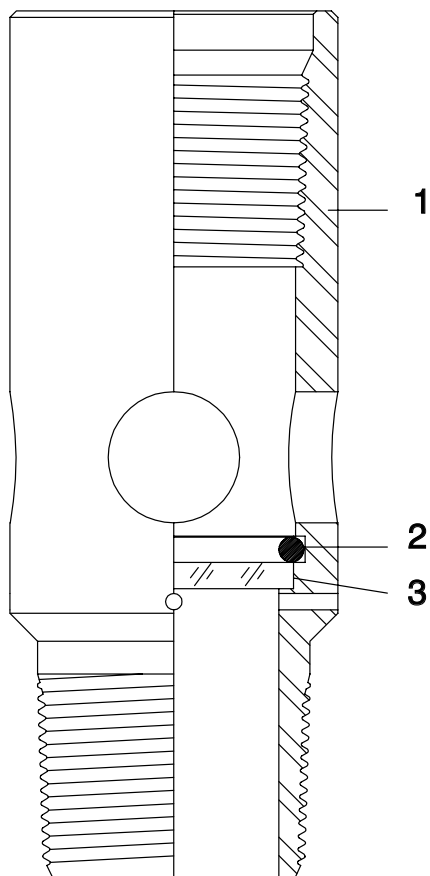


Fill/Flow Sub

TC-100-2375-000 / TC-100-2875-000 / TC-100-3500-000

PRODUCT INFORMATION:

BILL OF MATERIALS:



ITEM	PART NUMBER	QTY.	DESCRIPTION
--	TC-100-2375-000	--	Fill Disc Sub Assy. 2-3/8" EUE
1	TC-100-0000-000	1	Fill Disc Sub Body, 2-3/8" EUE
2*	OOO-N569-330	1	O-Ring, N-90
3*	TC-100-0001-225	1	Glass Disc, 2-1/4" X 3/16" Thk
--	TC-100-2375-000V	--	Fill Disc Sub Assy. 2-3/8" EUE, HT
--	TC-100-2375-099	--	Redress Kit, 2-3/8" EUE
--	TC-100-2375-199	--	Redress Kit, 2-3/8" EUE, HT

ITEM	PART NUMBER	QTY.	DESCRIPTION
--	TC-100-2875-000	--	Fill Disc Sub Assy. 2-7/8" EUE
1	TC-100-0002-000	1	Fill Disc Sub Body, 2-7/8" EUE
2*	OOO-N569-334	1	O-Ring, N-90
3*	TC-100-0001-275	1	Glass Disc, 2-3/4" X 3/16" Thk
--	TC-100-2875-000V	--	Fill Disc Sub Assy. 2-7/8" EUE, HT
--	TC-100-2875-099	--	Redress Kit, 2-7/8" EUE
--	TC-100-2875-199	--	Redress Kit, 2-7/8" EUE, HT

ITEM	PART NUMBER	QTY.	DESCRIPTION
--	TC-100-3500-000	--	Fill Disc Sub Assy. 3-1/2" EUE
1	TC-100-0003-000	1	Fill Disc Sub Body, 3-1/2" EUE
2*	OOO-N569-339	1	O-Ring, N-90
3*	TC-100-0001-325	1	Glass Disc, 3-1/4" X 3/16" Thk
--	TC-100-3500-000V	--	Fill Disc Sub Assy. 3-1/2" EUE, HT
--	TC-100-3500-099	--	Redress Kit, 3-1/2" EUE
--	TC-100-3500-199	--	Redress Kit, 3-1/2" EUE, HT

* Denotes parts in Redress Kits.

High Temperature Fill/Flow Sub and Redress Kit contain Viton 90 O-Rings.