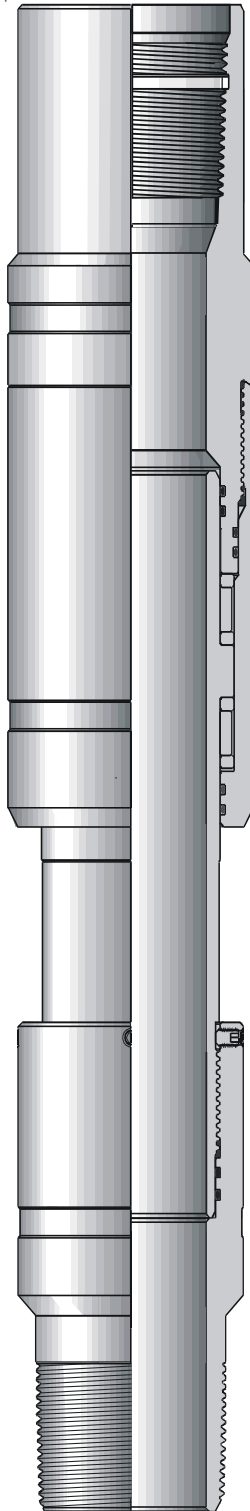


Description

The Tubing Swivel is designed for TCP applications and allows the gun assembly to rotate freely on the tubing. The main purpose for this tool is, to establish the “high side” in a highly deviated or horizontal wellbore in combination with orienting fins.

This tool is designed with high load roller bearings which ensure the tool functions properly in tension or compression.



Features and Benefits

- high load bearing capacity in tension or compression
- compact bearing design results in slim OD and large bore, allowing free internal flow
- turns easily when loaded in tension or compression
- easy to service due to simple bearing design

Specifications

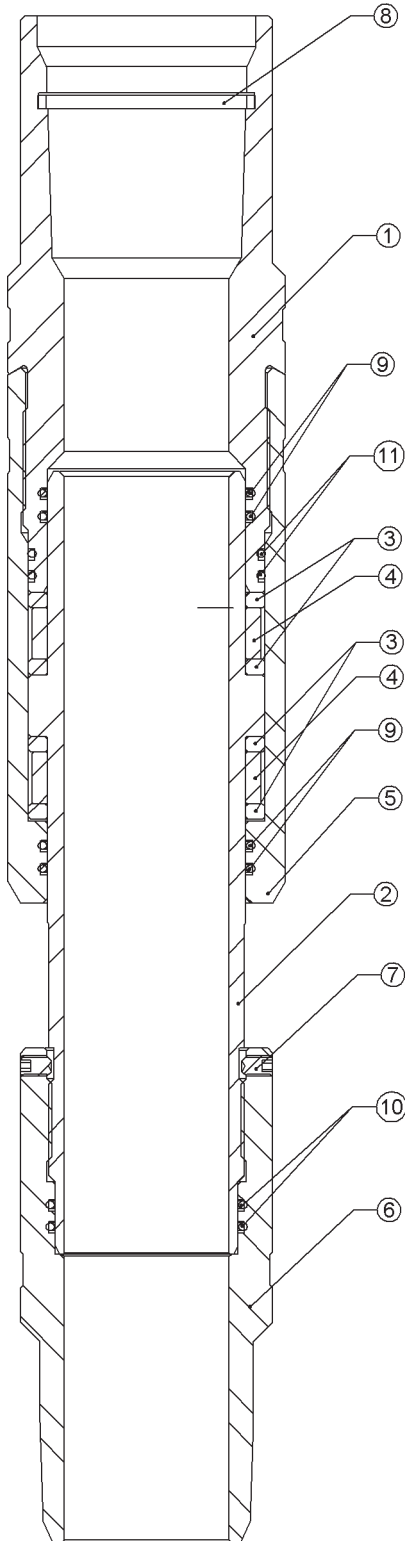
	2-3/8 in (60.3 mm)		2-7/8 in (73.0 mm)	
Maximum OD	3.375 in	85.7 mm	4.000 in	102 mm
Minimum ID	1.995 in	50.7 mm	2.441 in	62.0 mm
Tensile	94,410 lb	41 990 daN	114,960 lb	51 130 daN
Max Pressure	9,194 psi	63.39 MPa	8,883 psi	62.25 MPa
Collapse	9,378 psi	64.66 MPa	9,590 psi	66.12 MPa
Overall Length	18.53 in	471 mm	21.17 in	538 mm
Max Temp ¹	250°F (121°C)			
Connections	2-3/8 in (60.3 mm) EU		2-7/8 in (73.0 mm) EU	
Product	TC-140-2375-000		TC-140-2875-000	
Redress Kit	TC-140-2375-099		TC-140-2875-099	

¹The maximum temperature can be increased to 450°F (230°C) by substituting the 90 durometer Nitrile O-rings with 90 durometer Viton O-rings

Tubing Swivel

TC-140-2375-000
TC-140-2875-000

Owen Oil Tools



Item	Part Number	Qty	Description
--	TC-140-2375-000	--	Tubing Swivel 2-3/8" EU
1	TC-140-0000-000	1	Top Sub 2-3/8" EU
2	TC-140-0004-000	1	Mandrel
3	TC-140-0002-000	4	Washer
4	TC-140-0003-000	24	Bearing
5	TC-140-0001-000	1	Bearing Housing
6	TC-140-0005-000	1	Bottom Sub 2-3/8" EU
7	PF-001-025C-038S	4	Set Screw SO 1/4"-20 UNC x 3/8 Steel
8	MI-305-2375-000	1	API EUE Seal Ring
9	OOO-N569-143	4	O-Ring 90 Durometer Nitrile
10	OOO-N569-140	2	O-Ring 90 Durometer Nitrile
11	OOO-N569-147	2	O-Ring 90 Durometer Nitrile
--	TC-140-2375-098	--	Redress Kit, Tubing Swivel, Seals Only
--	TC-140-2375-099	--	Redress Kit, Tubing Swivel

Item	Part Number	Qty	Description
--	TC-140-2875-000	--	Tubing Swivel 2-7/8" EU
1	TC-140-0006-000	1	Top Sub 2-7/8" EU
2	TC-140-0009-000	1	Mandrel
3	TC-140-0008-000	4	Washer
4	TC-140-0003-000	28	Bearing
5	TC-140-0007-000	1	Bearing Housing
6	TC-140-0010-000	1	Bottom Sub 2-7/8" EU
7	PF-001-025C-038S	4	Set Screw SO 1/4"-20 UNC x 3/8 Steel
8	MI-305-2875-000	1	2-7/8" EU Thread API Seal Ring
9	OOO-N569-150	4	O-Ring 90 Durometer Nitrile
10	OOO-N569-148	2	O-Ring 90 Durometer Nitrile
11	OOO-N569-152	2	O-Ring 90 Durometer Nitrile
--	TC-140-2875-098	--	Redress Kit, Tubing Swivel, Seals Only
--	TC-140-2875-099	--	Redress Kit, Tubing Swivel

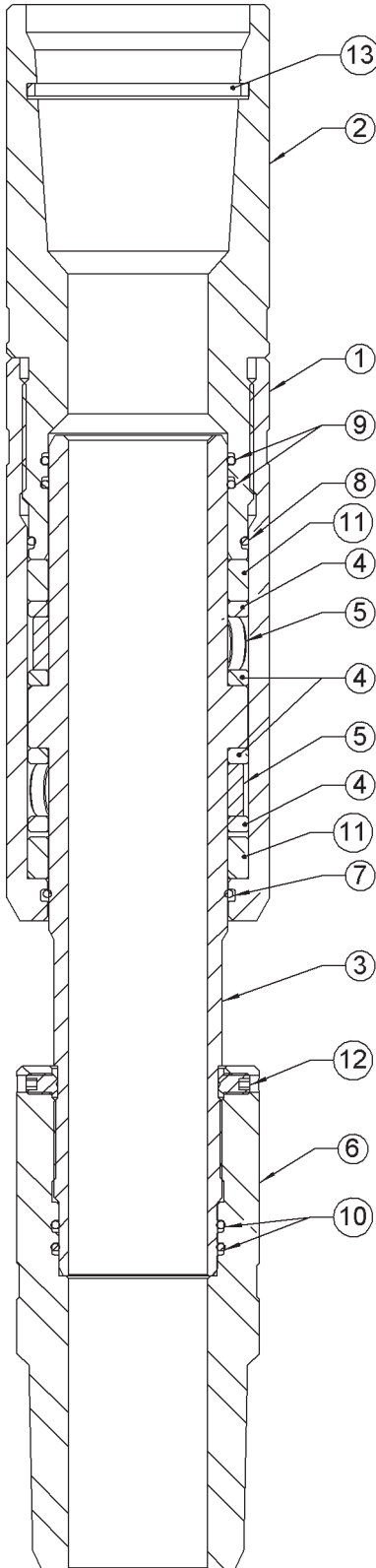
Item	Part Number	Qty	Description
--	TC-140-2375-098	--	Redress Kit Tubing Swivel 2-3/8" EU, Seals only
8	MI-305-2375-000	1	2-3/8" EU Thread API Seal Ring
9	OOO-N569-143	4	O-Ring 90 Durometer Nitrile
10	OOO-N569-140	2	O-Ring 90 Durometer Nitrile
11	OOO-N569-147	2	O-Ring 90 Durometer Nitrile

Item	Part Number	Qty	Description
--	TC-140-2875-098	--	Redress Kit Tubing Swivel 2-7/8" EU, Seals only
8	MI-305-2875-000	1	2-7/8" EU Thread API Seal Ring
9	OOO-N569-150	4	O-Ring 90 Durometer Nitrile
10	OOO-N569-148	2	O-Ring 90 Durometer Nitrile
11	OOO-N569-152	2	O-Ring 90 Durometer Nitrile

Item	Part Number	Qty	Description
--	TC-140-2375-099	--	Redress Kit Tubing Swivel 2-3/8" EU
3	TC-140-0002-000	4	Washer
4	TC-140-0003-000	24	Bearing
8	MI-305-2375-000	1	2-3/8" EU Thread API Seal Ring
9	OOO-N569-143	4	O-Ring 90 Durometer Nitrile
10	OOO-N569-140	2	O-Ring 90 Durometer Nitrile
11	OOO-N569-147	2	O-Ring 90 Durometer Nitrile

Item	Part Number	Qty	Description
--	TC-140-2875-099	--	Redress Kit Tubing Swivel 2-7/8" EU
3	TC-140-0008-000	4	Washer
4	TC-140-0003-000	28	Bearing
8	MI-305-2875-000	1	2-7/8" EU Thread Seal Ring
9	OOO-N569-150	4	O-Ring 90 Durometer Nitrile
10	OOO-N569-148	2	O-Ring 90 Durometer Nitrile
11	OOO-N569-152	2	O-Ring 90 Durometer Nitrile

Tubing Swivel TC-140-3125-00 Special Swivel
3.125"OD with 2-3/8 EU Thread



Specifications

3.125" OD with 2-3/8" EU		
Maximum OD	3.125 in	81.7 mm
Minimum ID	1.650 in	41.9
Tensile	65,820 lb	29,276 daN
Max Pressure	9,194 psi	63.39 MPa
Collapse	9,378 psi	64.66 MPa
Overall Length	18.59 in	472 mm
Max Temp ¹	250°F (121°C)	
Connections	2-3/8 in (60.3 mm) EU Box X Pin	
Product	TC-140-3125-000	
Redress Kit	TC-140-3125-099	

Item	Part Number	Qty	Description
--	TC-140-3125-000	--	Tubing Swivel 2-3/8" EU
1	TC-140-0018-000	1	Bearing Housing
2	TC-140-0017-000	1	Top Sub 2-3/8" EU
3	TC-140-0020-000	1	Mandrel
4	TC-140-0019-000	4	Washer
5	TC-140-0003-000	22	Bearings
6	TC-140-0021-000	1	Bottom Sub 2-3/8" EU
7	OOO-N569-137	1	O-Ring 90 Durometer Nitrile
8	OOO-N569-143	1	O-Ring 90 Durometer Nitrile
9	OOO-N569-138	2	O-Ring 90 Durometer Nitrile
10	OOO-N569-134	2	O-Ring 90 Durometer Nitrile
11	TC-140-0022-000	2	Brass Bushing
12	PF-001-025C-038S	4	Set Screw SO 1/4"-20 UNC x 3/8 Steel
13	MI-305-2375-000	1	API EUE Seal Ring
--	TC-140-2375-098	--	Redress Kit, Tubing Swivel, Seals Only
--	TC-140-2375-099	--	Redress Kit, Tubing Swivel

Item	Part Number	Qty	Description
--	TC-140-3125-098	--	Redress Kit 3.125" OD Tubing Swivel with 2-3/8" EU, Seals Only
7	OOO-N569-137	1	O-Ring 90 Durometer Nitrile
8	OOO-N569-143	1	O-Ring 90 Durometer Nitrile
9	OOO-N569-138	2	O-Ring 90 Durometer Nitrile
10	OOO-N569-134	2	O-Ring 90 Durometer Nitrile
13	MI-305-2375-000	1	2-3/8" EU Thread API Seal Ring

Item	Part Number	Qty	Description
--	TC-140-3125-099	--	Redress Kit 3.125" OD Tubing Swivel with 2-3/8" EU
4	TC140-0019-000	4	Washers
5	TC-140-0003-000	22	Bearings
7	OOO-N569-137	1	O-Ring 90 Durometer Nitrile
8	OOO-N569-143	1	O-Ring 90 Durometer Nitrile
9	OOO-N569-138	2	O-Ring 90 Durometer Nitrile
10	OOO-N569-134	2	O-Ring 90 Durometer Nitrile
11	TC-140-0022-00	2	Brass Bushings
13	MI-305-2375-000	1	2-3/8" EU Thread API Seal Ring