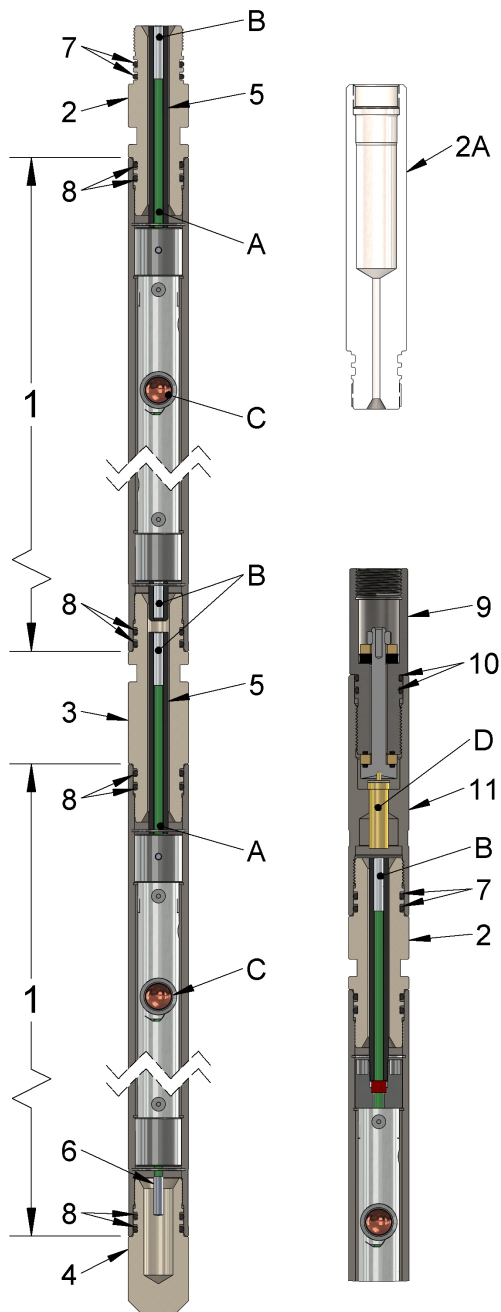


TECHNICAL INFORMATION:



| ITEM | PART NO. | DESCRIPTION |
|------|-----------------|--|
| 1 | S16-0438-V02A | SHIPPING ASSEMBLY, 1-9/16" X 2', 4 SPF, 120° (4 SHOTS) |
| | S16-0438-V03A | SHIPPING ASSEMBLY, 1-9/16" X 3', 4 SPF, 120° (8 SHOTS) |
| | S16-0438-V04A | SHIPPING ASSEMBLY, 1-9/16" X 4', 4 SPF, 120° (12 SHOTS) |
| | S16-0438-V05A | SHIPPING ASSEMBLY, 1-9/16" X 5', 4 SPF, 120° (16 SHOTS) |
| | S16-0438-V07A | SHIPPING ASSEMBLY, 1-9/16" X 7', 4 SPF, 120° (24 SHOTS) |
| | S16-0438-V11A | SHIPPING ASSEMBLY, 1-9/16" X 11', 4 SPF, 120° (40 SHOTS) |
| | S16-0438-V15A | SHIPPING ASSEMBLY, 1-9/16" X 15', 4 SPF, 120° (56 SHOTS) |
| | S16-0438-V21A | SHIPPING ASSEMBLY, 1-9/16" X 21', 4 SPF, 120° (80 SHOTS) |
| 2 | TAG-1562-280 | TOP SUB, 1-9/16" |
| 2A | TAG-1562-112 | TOP SUB, 1-9/16" WIRELINE SYSTEMS |
| 3 | TAG-1562-281 | TANDEM SUB, 1-9/16" |
| 4 | TAG-1562-078 | BULL PLUG, 1-9/16" |
| 5 | RTG-0100-275 | BOOSTER TRANSFER KIT |
| 6 | DET-0100-058 | DETONATING CORD END COVER (40GR RIBBON - 40GR ROUND) |
| 7 | OOO-N569-215 | O-RING, #215, 90 DURO NITRILE |
| | OOO-V569-215 | O-RING, #215, 90 DURO VITON |
| 8 | OOO-N569-215 | O-RING, #215, 90 DURO NITRILE |
| | OOO-V569-215 | O-RING, #215, 90 DURO VITON |
| 9 | AES-AS80005 | FIRING ADAPTER ASSY., 1-1/2" O.D. |
| 10 | OOO-N569-214 | O-RING, #214, 90 DURO NITRILE |
| | OOO-V569-214 | O-RING, #214, 90 DURO VITON |
| 11* | ADP-1562-003 | SHOOTING ADAPTER ASSY., 1-9/16" O.D. |
| A | A538010 | DETONATING CORD, 40GR RDX LS, RIBBON |
| | A545010 | DETONATING CORD, 40GR HMX LS, RIBBON |
| B | DET-3050-429 | BI-DIRECTIONAL BOOSTER |
| | DET-0010-006 | 40GR RUBBER GROMMET - TO STD BI-DIRECTIONAL BOOSTER |
| C | SDP-1687-402NT3 | CHARGE, HMX, NT3-HERO™ |
| | SDP-1687-401NTX | CHARGE, HMX, SDP |
| | RTG-1687-401NT | CHARGE, HMX, SDP |
| | RTG-1687-301 | CHARGE, RDX, DP |
| D | RTG-1687-301BH | CHARGE, RDX, BH |
| | DET-3050-008 | DETONATOR ASSY., TOP FIRE |

Note: Charges and ancillary components for higher temperatures are available by special order.
 *ADP-1562-003 is compatible with both DET-3050-008 and 2-300770-1 (Top Fire Green Detonator)

SPECIFICATIONS:

| | | |
|-----------------------------|------------------------|-------------|
| CARRIER PRESSURE RATING | 172.4 Mpa | 25,000 psi |
| CARRIER TEMPERATURE RATING | UP TO 260°C | UP TO 500°F |
| CARRIER TENSILE STRENGTH | 28,470 daN | 64,000 lbf |
| CARRIER THREAD | 1-9/32" - 12 STUB ACME | |
| CARRIER TORSIONAL YIELD | 949 N·m | 700 lb·ft |
| GUN WEIGHT LOADED | 4.06 kg/m | 2.72 lb/ft |
| MAX OD BEFORE FIRING | 39.62mm | 1.56 in. |
| MAX OD AFTER FIRING (FLUID) | 44.20mm | 1.74 in. |