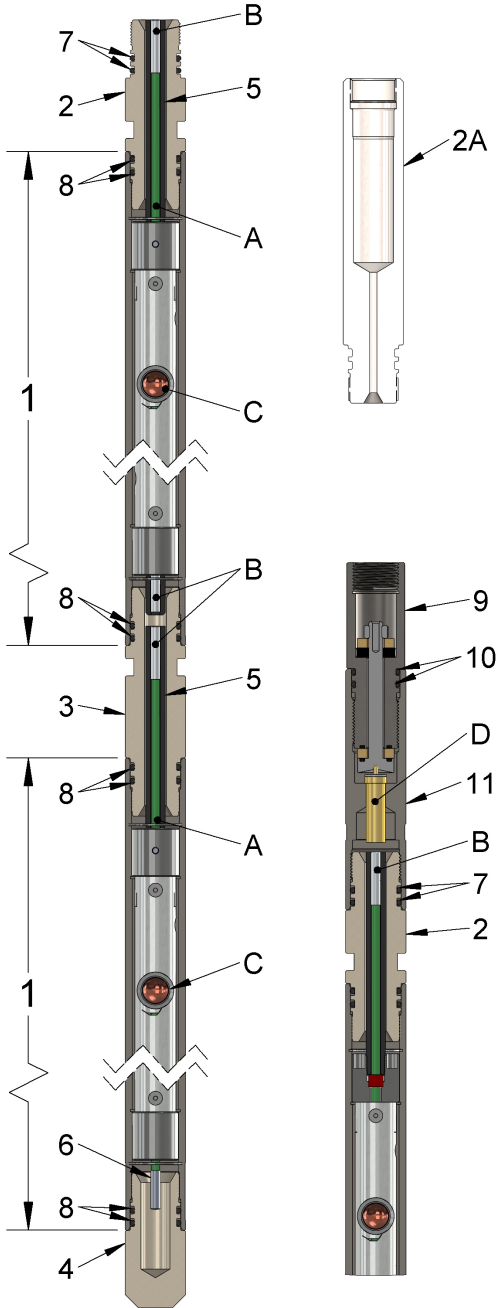




Threaded Gun System

TECHNICAL INFORMATION:

1-9/16" 6 spf, 60°, BH, DP, & SDP



ITEM	PART NO.	DESCRIPTION
1	S16-0638-A02A	SHIPPING ASSEMBLY, 1-9/16" X 2', 6 SPF, 60° (6 SHOTS)
	S16-0638-A03A	SHIPPING ASSEMBLY, 1-9/16" X 3', 6 SPF, 60° (12 SHOTS)
	S16-0638-A04A	SHIPPING ASSEMBLY, 1-9/16" X 4', 6 SPF, 60° (18 SHOTS)
	S16-0638-A05A	SHIPPING ASSEMBLY, 1-9/16" X 5', 6 SPF, 60° (24 SHOTS)
	S16-0638-A07A	SHIPPING ASSEMBLY, 1-9/16" X 7', 6 SPF, 60° (36 SHOTS)
	S16-0638-A11A	SHIPPING ASSEMBLY, 1-9/16" X 11', 6 SPF, 60° (60 SHOTS)
	S16-0638-A15A	SHIPPING ASSEMBLY, 1-9/16" X 15', 6 SPF, 60° (84 SHOTS)
	S16-0638-A21A	SHIPPING ASSEMBLY, 1-9/16" X 21', 6 SPF, 60° (120 SHOTS)
2	TAG-1562-280	TOP SUB, 1-9/16"
2A	TAG-1562-112	TOP SUB, 1-9/16" WIRELINE SYSTEMS
3	TAG-1562-281	TANDEM SUB, 1-9/16"
4	TAG-1562-078	BULL PLUG, 1-9/16"
5	RTG-0100-275	BOOSTER TRANSFER KIT
6	DET-0100-058	DETONATING CORD END COVER (40GR RIBBON - 40GR ROUND)
	OOO-N569-215	O-RING, #215, 90 DURO NITRILE
7	OOO-V569-215	O-RING, #215, 90 DURO VITON
	OOO-N569-215	O-RING, #215, 90 DURO NITRILE
8	OOO-V569-215	O-RING, #215, 90 DURO VITON
	OOO-N569-215	O-RING, #215, 90 DURO NITRILE
9	AES-AS80005	FIRING ADAPTER ASSY., 1-1/2" O.D.
	OOO-N569-214	O-RING, #214, 90 DURO NITRILE
10	OOO-V569-214	O-RING, #214, 90 DURO VITON
	OOO-N569-214	O-RING, #214, 90 DURO NITRILE
11*	ADP-1562-003	SHOOTING ADAPTER ASSY., 1-9/16" O.D.
A	A538010	DETONATING CORD, 40GR RDX LS, RIBBON
	A545010	DETONATING CORD, 40GR HMX LS, RIBBON
B	DET-3050-429	BI-DIRECTIONAL BOOSTER
	DET-0010-006	40GR RUBBER GROMMET - TO STD BI-DIRECTIONAL BOOSTER
C	SDP-1687-402NT3	CHARGE, HMX, NT3-HERO™
	SDP-1687-401NTX	CHARGE, HMX, SDP
	RTG-1687-401NT	CHARGE, HMX, SDP
	RTG-1687-301	CHARGE, RDX, DP
D	RTG-1687-301BH	CHARGE, RDX, BH
	DET-3050-008	DETONATOR ASSY., TOP FIRE

Note: Charges and ancillary components for higher temperatures are available by special order.
 *ADP-1562-003 is compatible with both DET-3050-008 and 2-300770-1 (Top Fire Green Detonator)

SPECIFICATIONS:

CARRIER PRESSURE RATING	172.4 Mpa	25,000 psi
CARRIER TEMPERATURE RATING	UP TO 260°C	UP TO 500°F
CARRIER TENSILE STRENGTH	28,470 daN	64,000 lbf
CARRIER THREAD	1-9/32" - 12 STUB ACME	
CARRIER TORSIONAL YIELD	949 N·m	700 lb-ft
GUN WEIGHT LOADED	4.06 kg/m	2.72 lb/ft
MAX OD BEFORE FIRING	39.62mm	1.56 in.
MAX OD AFTER FIRING (FLUID)	44.20mm	1.74 in.