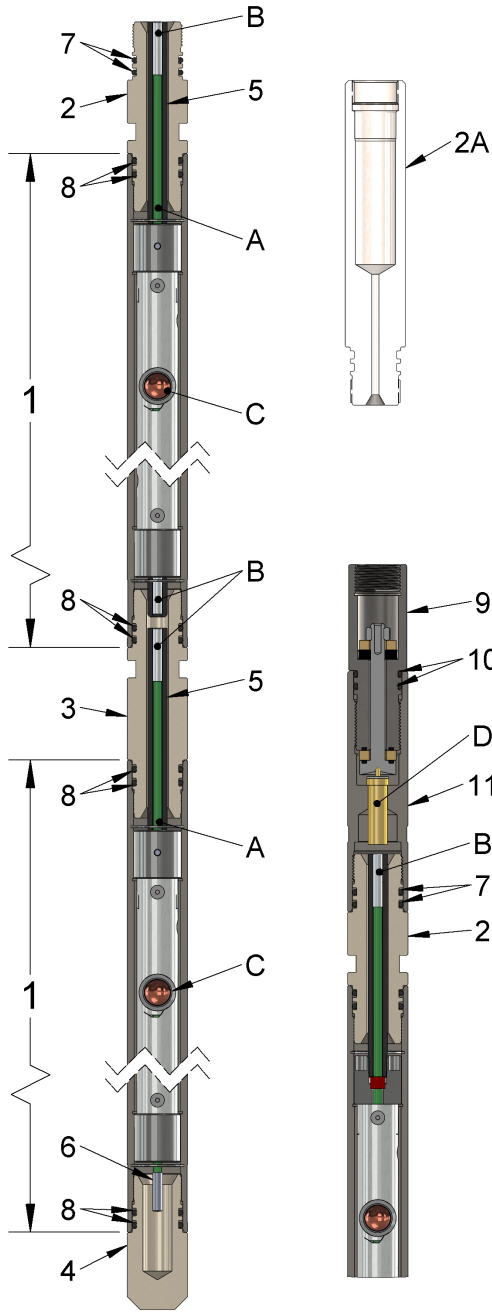


TECHNICAL INFORMATION:

2" 6 spf, 0°/+45°/0°/-45°, BH, DP, & SDP



ITEM	PART NO.	DESCRIPTION
1	S21-0637-L02A	SHIPPING ASSEMBLY, 2" X 2', 6 SPF, 0°/+45°/0°/-45° (6 SHOTS)
	S21-0637-L03A	SHIPPING ASSEMBLY, 2" X 3', 6 SPF, 0°/+45°/0°/-45° (12 SHOTS)
	S21-0637-L04A	SHIPPING ASSEMBLY, 2" X 4', 6 SPF, 0°/+45°/0°/-45° (18 SHOTS)
	S21-0637-L05A	SHIPPING ASSEMBLY, 2" X 5', 6 SPF, 0°/+45°/0°/-45° (24 SHOTS)
	S21-0637-L07A	SHIPPING ASSEMBLY, 2" X 7', 6 SPF, 0°/+45°/0°/-45° (36 SHOTS)
	S21-0637-L11A	SHIPPING ASSEMBLY, 2" X 11', 6 SPF, 0°/+45°/0°/-45° (60 SHOTS)
	S21-0637-L15A	SHIPPING ASSEMBLY, 2" X 15', 6 SPF, 0°/+45°/0°/-45° (84 SHOTS)
	S21-0637-L21A	SHIPPING ASSEMBLY, 2" X 21', 6 SPF, 0°/+45°/0°/-45° (120 SHOTS)
2	TAG-2000-280	TOP SUB, 2"
2A	TAG-2000-112	TOP SUB, 2" WIRELINE SYSTEMS
3	TAG-2000-281	TANDEM SUB, 2"
4	TAG-2000-078	BULL PLUG, 2"
5	RTG-0100-275	BOOSTER TRANSFER KIT
6	DET-0100-058	DETONATING CORD END COVER (40GR RIBBON - 40GR ROUND)
7	OOO-N569-215	O-RING, #215, 90 DURO NITRILE
	OOO-V569-215	O-RING, #215, 90 DURO VITON
8	OOO-N569-221	O-RING, #221, 90 DURO NITRILE
	OOO-V569-221	O-RING, #221, 90 DURO VITON
9	AES-AS80005	FIRING ADAPTER ASSY., 1-1/2" O.D.
10	OOO-N569-214	O-RING, #214, 90 DURO NITRILE
	OOO-V569-214	O-RING, #214, 90 DURO VITON
11*	ADP-1562-003	SHOOTING ADAPTER ASSY., 1-9/16" O.D.
A	A538010	DETONATING CORD, 40GR RDX LS, RIBBON
	A545010	DETONATING CORD, 40GR HMX LS, RIBBON
B	DET-3050-429	BI-DIRECTIONAL BOOSTER
	DET-0010-006	40GR RUBBER GROMMET - TO STD BI-DIRECTIONAL BOOSTER
C	RTG-2125-302LS	CHARGE, RDX, DP, LS (LOW SWELL)
	RTG-2125-402LS	CHARGE, HMX, DP, LS (LOW SWELL)
	RTG-2125-402F	CHARGE, HMX, DP, BH
	SDP-2107-310	CHARGE, RDX, SDP, HERO®HR (HARD ROCK)
	SDP-2107-410	CHARGE, HMX, SDP, HERO®HR (HARD ROCK)
D	DET-3050-008	DETONATOR ASSY., TOP FIRE

Note: Charges and ancillary components for higher temperatures are available by special order.
 *ADP-1562-003 is compatible with both DET-3050-008 and 2-300770-1 (Top Fire Green Detonator)

SPECIFICATIONS:

CARRIER PRESSURE RATING	158.6 Mpa	23,000 psi
CARRIER TEMPERATURE RATING	UP TO 260°C	UP TO 500°F
CARRIER TENSILE STRENGTH	43 600 daN	98,000 lbf
CARRIER THREAD	1-11/16"-8 STUB ACME	
CARRIER TORSIONAL YIELD	1 877 N•m	1,375 lb•ft
GUN WEIGHT LOADED	7.13 kg/m	4.78 lb/ft
MAX OD BEFORE FIRING	51.82mm	2.04 in.
MAX OD AFTER FIRING (FLUID)	56.13mm	2.18 in.