



Refinery Systems
 11 Princess Road, Suite H
 Lawrenceville, NJ 08648
 Tel: (609) 896-CORE (2673)
 Fax: (609) 896-CLRS (2577)
 www.corelab.com

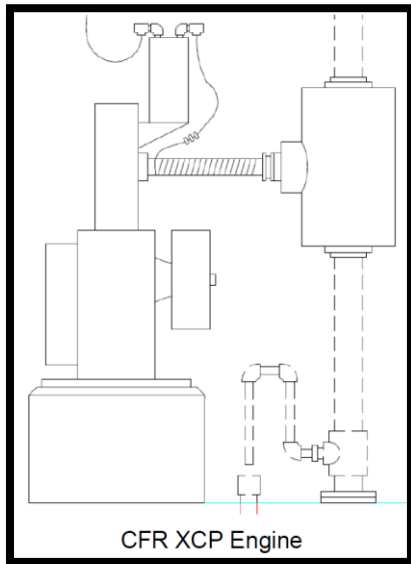
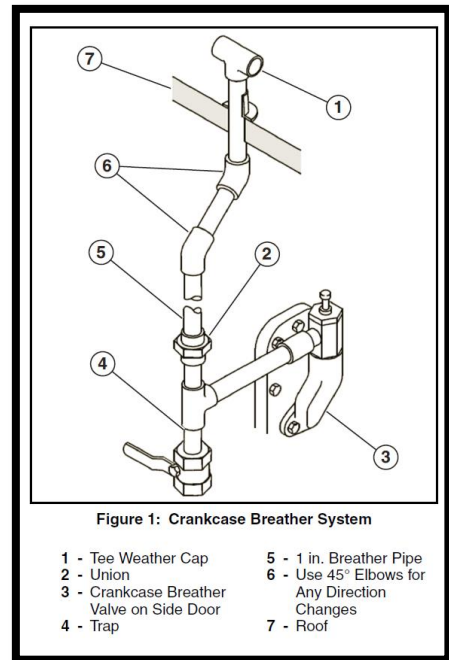
Subject: Engine Exhaust

Date: November 11, 2014

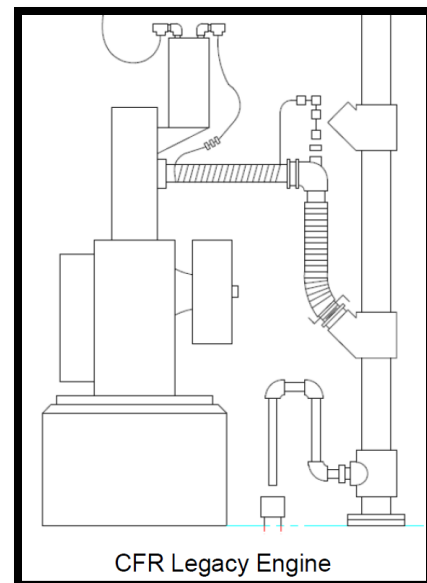
Refinery Systems would like to advise the following:

Separate exhaust should be used for Cylinder and Crankcase Breather as shown on the diagram. Failure to follow these guidelines could result in backpressure of Carbon Monoxide (CO).

Please reference Waukesha CFR gas engine Service Bulletin 4-1304 for more information.



Surge Tank must be used for all CFR XCP Engines exhaust as shown on the diagram:



Water Cooled Flex Exhaust System (7850) can be used only for the CFR Legacy Engines as shown on the diagram: