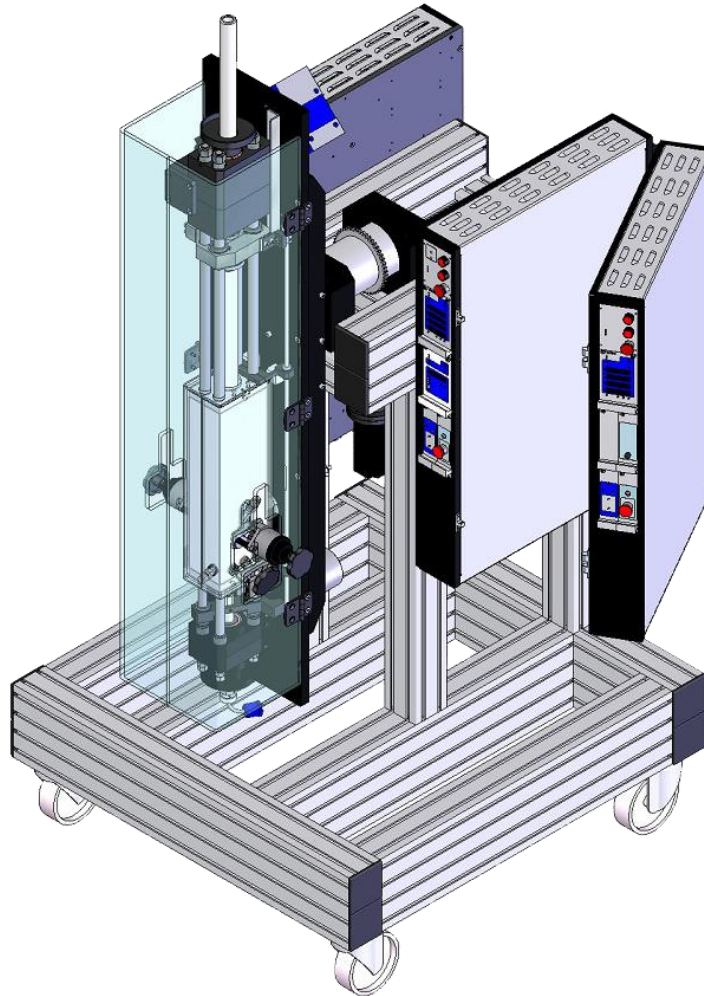




PVT GAS 250/1000



General Features

Our PVT GAS 250/1000 is able to determine and measure PVT behavior of a reservoir fluid like condensate gas. It is associate to our 10 litre automatic gasmeter (GAS10 000T). The cell allows to perform studies of light hydrocarbon mixtures (high GOR > 20 000Sm³/m³), slightly acid and that can contain H₂S or CO₂.

Specifications	
Max. Working pressure	1000 bar
Max. Working Temperature	Ambient to 200°C
PVT Cell Volume	250 ml
Accuracy on measurements:	
Pressure	0.2% of full scale
Temperature	±0.1°C
Liquid deposit	0.1%



PVT GAS 250/1000

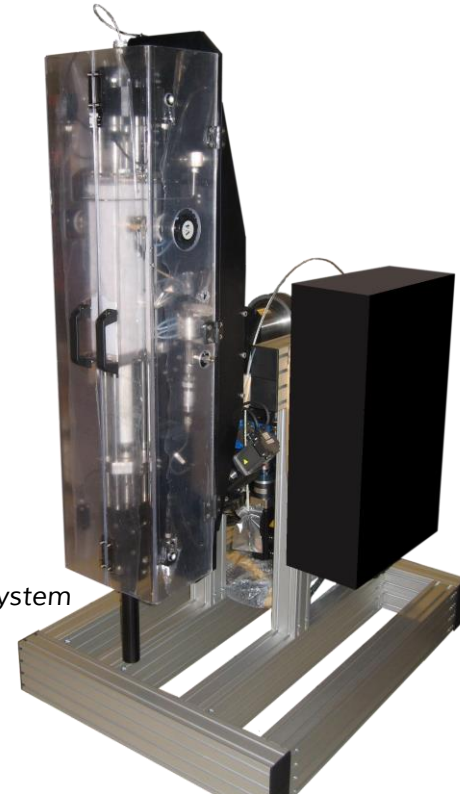
Measurements

The PVT Gas 250/1000 with GAS 10 000T is designed to perform :

- Dew point pressure
- Gas Z factor in pressure and temperature
- Hydrocarbon phases volume at pressure and temperature equilibrium
- GOR (Sm³/m³) by liberated gas measurement in gasmeter and liquid volume measurement in high pressure cell

Characteristics

- Constant temperature control system
- Pneumatic valves
- Control cabinet
- Calibrated pressure sensor and temperature sensor
- High pressure valves, pipes and filters
- Delivered with Falcon® software for data acquisition and processing system
- Dew point detection by IRMIDDS system (infrared detector)



Example of synoptic

