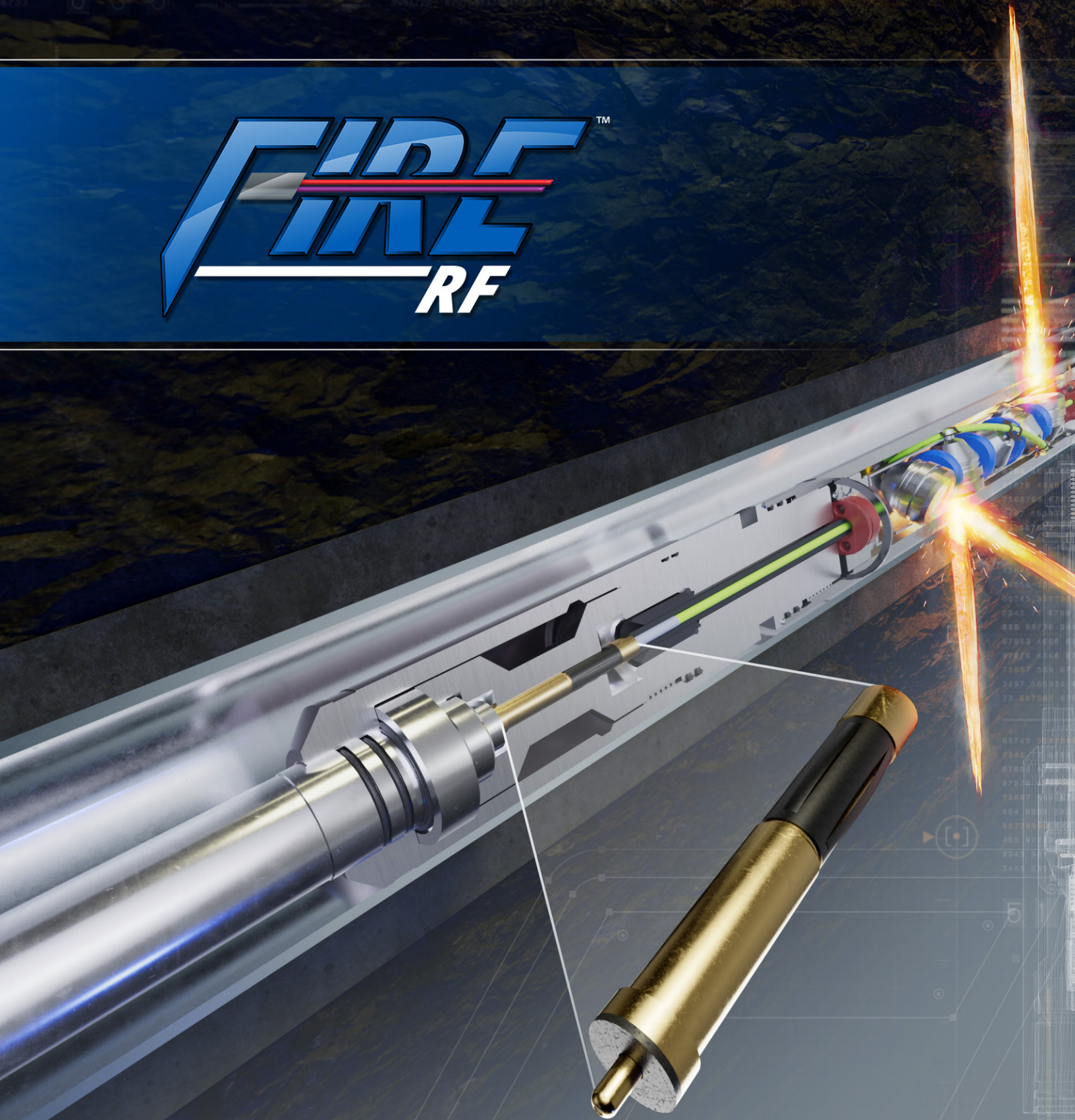


FIRE FIRE RF



www.corelab.com/owenoiltools



Core Lab

Owen Oil Tools



Technical Information

APPLICATION:

Owen FIRE™ RF-Safe top-fire auto shunting detonator. Used for wireline operations. Increased level of protection against RF and stray voltage while minimizing well-site hazards.

RATING:

TEMPERATURE RATING:

400°F (204°C) for 1 hours

SPECIFICATIONS:

TYPE:

RF-Safe Top-Fire Detonator, Group 2

RESISTANCE:

0.990 MΩ - 1.010 MΩ

ALL-FIRE LEVEL:

300 Volts (DC)

NO-FIRE LEVEL:

75 Volts (DC)

STATIC SENSITIVITY:

MIL-DTL-23659F

TEST RELIABILITY:

99.99% @ 95% confidence level

EXPLOSIVES:

TOTAL N.E.W.:

0.77 grams

EXPLOSIVE TYPES:

HNS, LEAD AZIDE, PYROTECHNIC

PACKAGING:

QUANTITY PER BOX:

10 (can be packaged up to 50 per box)

NET EXPLOSIVE WEIGHT:

7.7 grams

NET ITEM WEIGHT:

637 grams

TOTAL PACKAGE WEIGHT:

7.91 lbs /3.59 kg

BOX DIMENSIONS:

12.25 in. X 7.5 in. X 3.25 in.

SHELF LIFE:

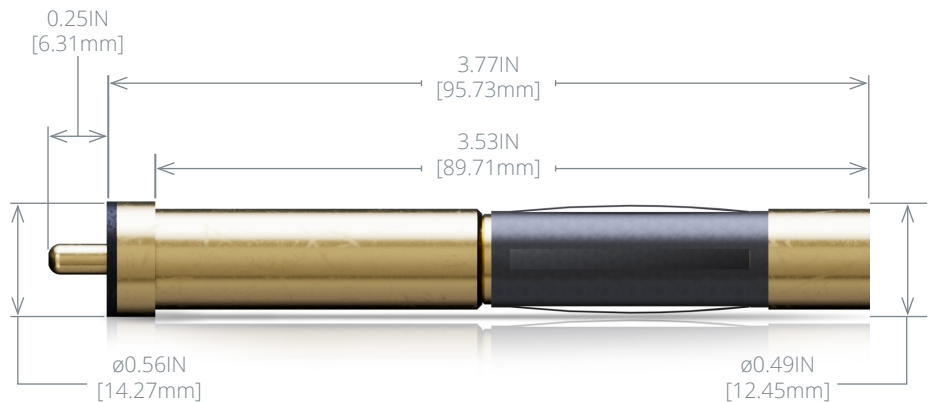
5 years; when stored unopened in original packaging at storage conditions: -40C to +60°C, -40°F to +140°F; maximum 65% relative humidity, good ventilation

PACKAGE TYPE:

Detonators in anti-static bag with desiccant, inside cardboard box with dividers



Detonator Part Number:	DET-RF-5TF
D.O.T EX Number:	EX2018052010
Shipping Class:	1.4B
CE Number:	0080.EXP.01.0020
UN Number:	UN0255



IMPORTANT NOTES:

This detonator is for use in non-exposed top-fire hardware applications and must be used in special Owen RF Top-Fire hardware. This detonator will NOT fit in other Owen top fire hardware or other standard topfire hardware. Please reference below for proper hardware:

- Shooting adapter: ADP-1562-5TF
- Firing head: ADP-PX16-555TF

ITPO certified RF-safe and stray voltage safe by Franklin Applied Physics Laboratory. Detonator meets RP-67 group 2 certification.

Do not use in exposed applications without suitable hardware to protect the detonator from the downhole environment.



Technical Information

APPLICATION:

Owen FIRE™ RF-Safe detonator. Increased level of protection against RF and stray voltage while minimizing well-site hazards.

RATING:

TEMPERATURE RATING:

425°F (218°C) for 5 hours 375°F (190°C) for 24 hours
400°F (204°C) for 10 hours 350°F (176°C) for 100 hours

SPECIFICATIONS:

TYPE:

RF-Safe Detonator, Group 2

RESISTANCE:

0.990 MΩ - 1.010 MΩ

ALL-FIRE LEVEL:

300 Volts (DC)

NO-FIRE LEVEL:

75 Volts (DC)

STATIC SENSITIVITY:

MIL-DTL-23659F

TEST RELIABILITY:

99.99% @ 95% confidence level

EXPLOSIVES:

TOTAL N.E.W.:

0.77 grams

EXPLOSIVE TYPES:

HNS, LEAD AZIDE, PYROTECHNIC

PACKAGING:

QUANTITY PER BOX:

10 (can be packaged up to 50 per box)

NET EXPLOSIVE WEIGHT:

7.7 grams

NET ITEM WEIGHT:

380 grams

TOTAL PACKAGE WEIGHT:

2.67 lbs /1.21 kg

BOX DIMENSIONS:

12.25 in. X 7.5 in. X 3.25 in.

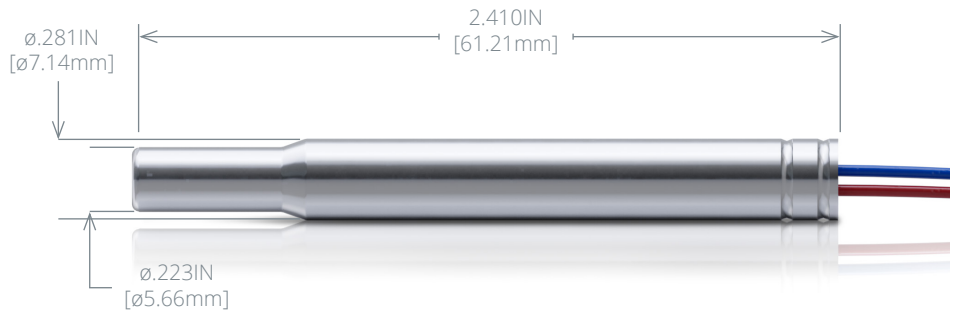
SHELF LIFE:

5 years; when stored unopened in original packaging at storage conditions: -40°C to +60°C, -40°F to +140°F; maximum 65% relative humidity, good ventilation

PACKAGE TYPE:



Detonator Part Number:	DET-RF2-5
D.O.T EX Number:	EX2018052010
Shipping Class:	1.4B
CE Number:	PENDING
UN Number:	UN0255



IMPORTANT NOTES:

Detonator must be electrically connected with red wire to hot lead and blue wire to ground.

ITPO certified RF-safe and stray voltage safe by Franklin Applied Physics Laboratory. Detonator meets RP-67 group 2 certification.

This detonator is not fluid sensitive by itself. Do not use in exposed applications without suitable hardware to protect the detonator from the downhole environment.

DESCRIPTION	ACCESSORY PART NUMBER	FINAL DET PART NUMBER
Big Boot	DET-0100-114	DET-RF-5BB
Crimp Sleeve	DET-3050-576	N/A
Side Block	DET-3050-400	N/A
Little Boot	Coming Soon	DET-RF-5LB
Spring Boot	Coming Soon	DET-RF-5SPR



Quick Reference

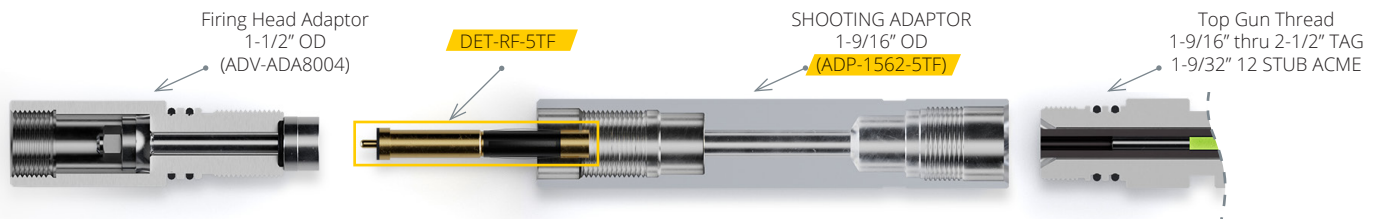
3-1/4" Quick Change



2-3/4" Quick Change



1-9/16" Shooting Adaptor



IMPORTANT NOTES:

The above systems are NOT compatible with the DET-3050-008 Detonator. The Standard QC Collars and Det Block or Shooting Adaptors (ADP-1562-005, AES-4244 and ADV-ADA6100) MUST be used with the DET-3050-008.